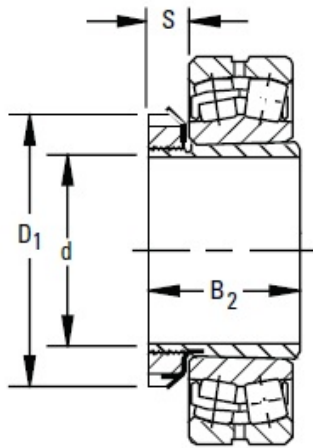




# SNR BEARING CORP.OF AMERICA



## timken SNP-3164 x 12 SNW/SNP-Pull-Type Sleeve, Locknut, Lockplate Assemblies

Bearing No. SNP-3164 x 12

Series	231K
Diameter d	12 in
Taper	1:12
SNW/SNP Assembly Weight	66.14 lb
Tolerance <sup>1</sup>	-0.007 in
B <sub>2</sub>	9.101 in
S	1.791 in
D <sub>1</sub>	15.005 in
Sleeve	S-3164 x 12
Locknut	N-064
Lockwasher and Lockplates	P-64

SNP-3164 x 12 Bearing 2D drawings and 3D CAD models