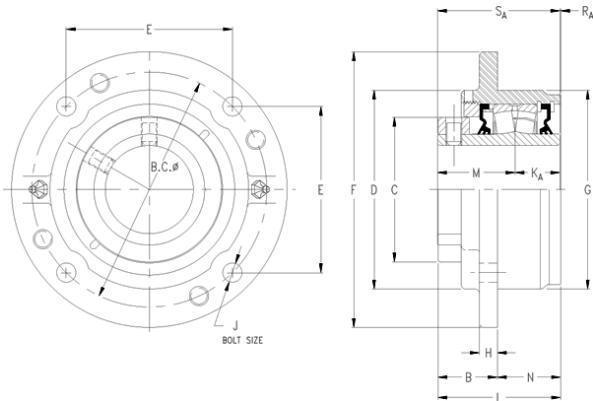




SNR BEARING CORP.OF AMERICA



timken QACW20A100S Solid Block/Spherical Roller Bearing Housed Units-Single Concentric Piloted Flange Cartridge

Bearing No. QACW20A100S

QACW20A100S Bearing 2D drawings and 3D CAD models

Engineering Group	Mounted Bearing
Shaft Size	100 mm
Shaft Size Type	Metric
Full Timken Part Number	QACW20A100SB
Locking Style	Single Concentric
Weight	43 lb
Housing Style	Piloted Flange Cartridge
UPC Code	0883450305624
Dimension BC	9.38 in
Dimension C	6.0000 in
Dimension E	6.63 in
Dimension B Fix	2.58 in
Dimension B Exp	2.66 in
Dimension F	10.88 in
Dimension D	8.13 in
Dimension H	1.00 in
Dimension J (Bolt Size)	0.75 in
Dimension M	2.97 in
Dimension G	8.125 in
Dimension KA	1.63 in
Dimension L Exp	4.94 in
Dimension L Fix	4.86 in
Dimension N	2.28 in
Dimension RA	0.27 in
Dimension SA	4.59 in



SNR BEARING CORP.OF AMERICA

C0 - Static Load	113000 lb
C - Dynamic Load (Basic)	97700 lb
e - Geometry Factor	0.24
Y1 - Geometry Factor	2.85
Y2 - Geometry Factor	4.24
Oil Lubrication - M/N Seal	1200 rpm
Oil Lubrication - T Seal	2000 rpm
Oil Lubrication - B/C/O Seal	900 rpm
Grease Lubrication - M/N Seal	1200 rpm
Grease Lubrication - T Seal	1600 rpm
Grease Lubrication - B/C/O Seal	900 rpm
Float	0.083 in
Shaft Tolerance	0.0030 in
Eng Internal Radial Clearance - Min	0.0030
Eng Internal Radial Clearance - Max	0.0047
Pre Install Clearance Min	0.0030 in
Pre Install Clearance Max	0.0047 in