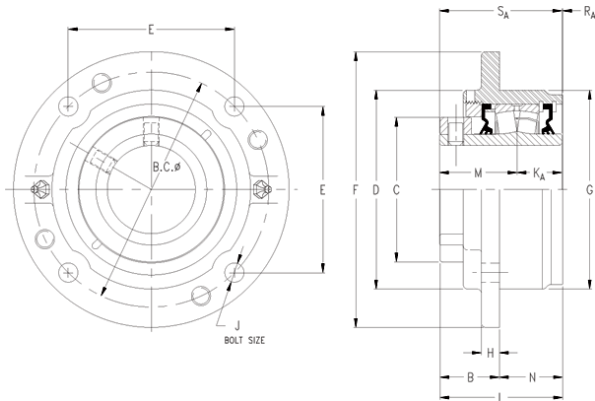




# SNR BEARING CORP.OF AMERICA



## timken QACW18A085S Solid Block/Spherical Roller Bearing Housed Units-Single Concentric Piloted Flange Cartridge

Bearing No. QACW18A085S

QACW18A085S Bearing 2D drawings and 3D CAD models

Engineering Group	Mounted Bearing
Shaft Size	85 mm
Shaft Size Type	Metric
Full Timken Part Number	QACW18A085SB
Locking Style	Single Concentric
Weight	32 lb
Housing Style	Piloted Flange Cartridge
UPC Code	0883450325028
Dimension BC	8.63 in
Dimension C	5.130 in
Dimension E	6.10 in
Dimension B Fix	2.29 in
Dimension B Exp	2.37 in
Dimension F	10.25 in
Dimension D	7.38 in
Dimension H	0.88 in
Dimension J (Bolt Size)	0.75 in
Dimension M	2.59 in
Dimension G	7.375 in
Dimension KA	1.44 in
Dimension L Exp	4.25 in
Dimension L Fix	4.17 in
Dimension N	1.88 in
Dimension RA	0.13 in
Dimension SA	4.03 in



## SNR BEARING CORP.OF AMERICA

C0 - Static Load	87200 lb
C - Dynamic Load (Basic)	79700 lb
e - Geometry Factor	0.23
Y1 - Geometry Factor	2.90
Y2 - Geometry Factor	4.31
Oil Lubrication - M/N Seal	1400 rpm
Oil Lubrication - T Seal	2400 rpm
Oil Lubrication - B/C/O Seal	1000 rpm
Grease Lubrication - M/N Seal	1400 rpm
Grease Lubrication - T Seal	2000 rpm
Grease Lubrication - B/C/O Seal	1000 rpm
Float	0.083 in
Shaft Tolerance	0.0030 in
Eng Internal Radial Clearance - Min	0.0024
Eng Internal Radial Clearance - Max	0.0039
Pre Install Clearance Min	0.0024 in
Pre Install Clearance Max	0.0039 in