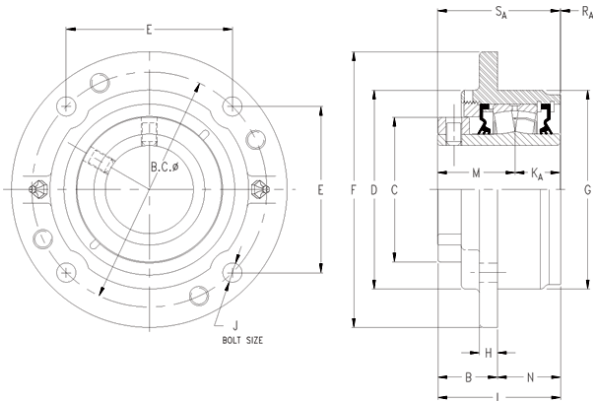




# SNR BEARING CORP.OF AMERICA



## timken QACW15A070S Solid Block/Spherical Roller Bearing Housed Units-Single Concentric Piloted Flange Cartridge

Bearing No. QACW15A070S

QACW15A070S Bearing 2D drawings and 3D CAD models

Engineering Group	Mounted Bearing
Shaft Size	70 mm
Shaft Size Type	Metric
Full Timken Part Number	QACW15A070SB
Locking Style	Single Concentric
Weight	22.00 lb
Housing Style	Piloted Flange Cartridge
UPC Code	0883450305501
Dimension BC	7.50 in
Dimension C	4.290 in
Dimension E	5.30 in
Dimension B Fix	1.81 in
Dimension B Exp	1.89 in
Dimension F	8.75 in
Dimension D	6.38 in
Dimension H	0.50 in
Dimension J (Bolt Size)	0.625 in
Dimension M	2.37 in
Dimension G	6.375 in
Dimension KA	1.25 in
Dimension L Exp	3.76 in
Dimension L Fix	3.68 in
Dimension N	1.88 in
Dimension RA	0.06 in
Dimension SA	3.62 in



## SNR BEARING CORP.OF AMERICA

C0 - Static Load	54100 lb
C - Dynamic Load (Basic)	49900 lb
e - Geometry Factor	0.22
Y1 - Geometry Factor	3.14
Y2 - Geometry Factor	4.67
Oil Lubrication - M/N Seal	1600 rpm
Oil Lubrication - T Seal	2900 rpm
Oil Lubrication - B/C/O Seal	1300 rpm
Grease Lubrication - M/N Seal	1600 rpm
Grease Lubrication - T Seal	2400 rpm
Grease Lubrication - B/C/O Seal	1300 rpm
Float	0.083 in
Shaft Tolerance	0.0020 in
Eng Internal Radial Clearance - Min	0.0020
Eng Internal Radial Clearance - Max	0.0031
Pre Install Clearance Min	0.0020 in
Pre Install Clearance Max	0.0031 in