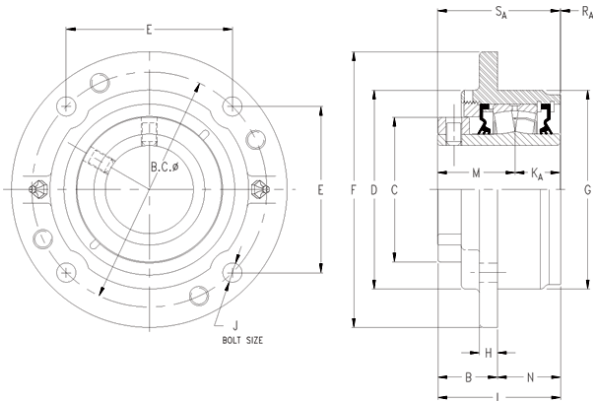




SNR BEARING CORP.OF AMERICA



timken QACW11A055S Solid Block/Spherical Roller Bearing Housed Units-Single Concentric Piloted Flange Cartridge

Bearing No. QACW11A055S

QACW11A055S Bearing 2D drawings and 3D CAD models

Engineering Group	Mounted Bearing
Shaft Size	55 mm
Shaft Size Type	Metric
Full Timken Part Number	QACW11A055SB
Locking Style	Single Concentric
Weight	13 lb
Housing Style	Piloted Flange Cartridge
UPC Code	0883450324540
Dimension BC	6.00 in
Dimension C	3.250 in
Dimension E	4.24 in
Dimension B Fix	1.53 in
Dimension B Exp	1.61 in
Dimension F	7.13 in
Dimension D	4.99 in
Dimension H	0.56 in
Dimension J (Bolt Size)	0.5 in
Dimension M	2 in
Dimension G	5.000 in
Dimension KA	1.13 in
Dimension L Exp	3.24 in
Dimension L Fix	3.16 in
Dimension N	1.63 in
Dimension RA	0.03 in
Dimension SA	3.13 in



SNR BEARING CORP.OF AMERICA

C0 - Static Load	31900 lb
C - Dynamic Load (Basic)	31400 lb
e - Geometry Factor	0.23
Y1 - Geometry Factor	2.95
Y2 - Geometry Factor	4.40
Oil Lubrication - M/N Seal	2200 rpm
Oil Lubrication - T Seal	3800 rpm
Oil Lubrication - B/C/O Seal	1600 rpm
Grease Lubrication - M/N Seal	2200 rpm
Grease Lubrication - T Seal	3200 rpm
Grease Lubrication - B/C/O Seal	1600 rpm
Float	0.050 in
Shaft Tolerance	0.0015 in
Eng Internal Radial Clearance - Min	0.0016
Eng Internal Radial Clearance - Max	0.0026
Pre Install Clearance Min	0.0016 in
Pre Install Clearance Max	0.0026 in