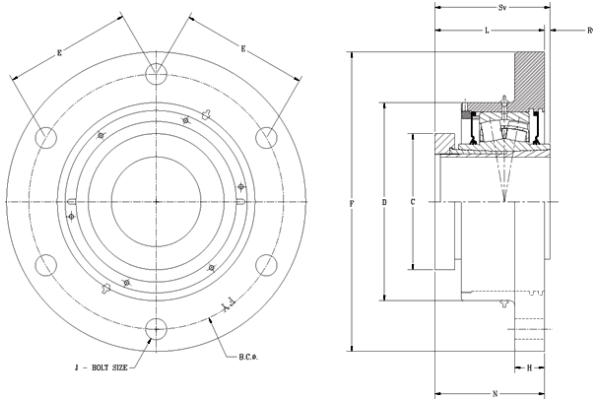




SNR BEARING CORP.OF AMERICA



timken QVFX26V407S Solid Block/Spherical Roller Bearing Housed Units-Single V-Lock Round Flange Block

Bearing No. QVFX26V407S

QVFX26V407S Bearing 2D drawings and 3D CAD models

Engineering Group	Mounted Bearing
Shaft Size	4-7/16 in
Shaft Size Type	Imperial
Full Timken Part Number	QVFX26V407SB
Locking Style	Single V-Lock
Weight	108.0 lb
Housing Style	Four-Bolt Square Flange
UPC Code	0883450338301
Dimension BC	12.88 in
Dimension C	6.88 in
Dimension D	9.060 in
Dimension E	6.44 in
Dimension F	15.13 in
Dimension H	1.50 in
Dimension J (Bolt Size)	1 in
Dimension L	5.53 in
Dimension L Exp	5.62 in
Dimension L Fix	5.53 in
Dimension N	4.210 in
Dimension RV	0.29 in
Dimension SV	5.82 in
C0 - Static Load	212000 lb
C - Dynamic Load (Basic)	170000 lb
e - Geometry Factor	0.28
Y1 - Geometry Factor	2.43



SNR BEARING CORP.OF AMERICA

Y2 - Geometry Factor	3.61
Oil Lubrication - M/N Seal	700 rpm
Oil Lubrication - T Seal	1500 rpm
Oil Lubrication - B/C/O Seal	400 rpm
Grease Lubrication - M/N Seal	700 rpm
Grease Lubrication - T Seal	1000 rpm
Grease Lubrication - B/C/O Seal	400 rpm
Float	0.083 in
Shaft Tolerance	0.0050 in
Eng Internal Radial Clearance - Min	0.0053
Eng Internal Radial Clearance - Max	0.0067
Pre Install Clearance Min	0.0053 in
Pre Install Clearance Max	0.0067 in