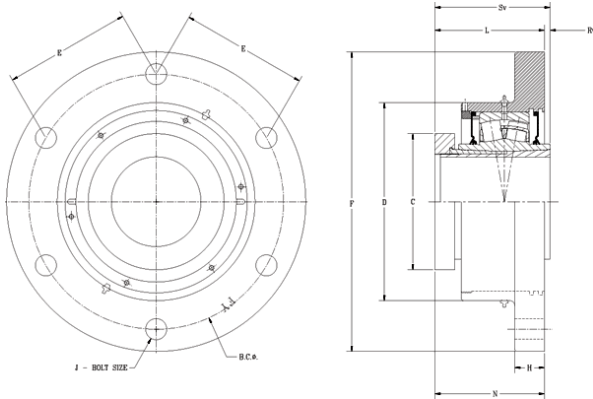




# SNR BEARING CORP.OF AMERICA



## timken QVFX28V130S Solid Block/Spherical Roller Bearing Housed Units-Single V-Lock Round Flange Block

Bearing No. QVFX28V130S

QVFX28V130S Bearing 2D drawings and 3D CAD models

Engineering Group	Mounted Bearing
Shaft Size	130 mm
Shaft Size Type	Metric
Full Timken Part Number	QVFX28V130SB
Locking Style	Single V-Lock
Weight	115 lb
Housing Style	Four-Bolt Square Flange
UPC Code	0883450338660
Dimension BC	14 in
Dimension C	7.47 in
Dimension D	11.190 in
Dimension E	7.000 in
Dimension F	16.5 in
Dimension H	1.50 in
Dimension J (Bolt Size)	1.125 in
Dimension L	6.54 in
Dimension L Exp	6.62 in
Dimension L Fix	6.54 in
Dimension N	5.450 in
Dimension RV	0.72 in
Dimension SV	5.82 in
C0 - Static Load	237000 lb
C - Dynamic Load (Basic)	194000 lb
e - Geometry Factor	0.26
Y1 - Geometry Factor	2.62



## SNR BEARING CORP.OF AMERICA

Y2 - Geometry Factor	3.89
Oil Lubrication - M/N Seal	650 rpm
Oil Lubrication - T Seal	1200 rpm
Oil Lubrication - B/C/O Seal	350 rpm
Grease Lubrication - M/N Seal	650 rpm
Grease Lubrication - T Seal	900 rpm
Grease Lubrication - B/C/O Seal	350 rpm
Float	0.083 in
Shaft Tolerance	0.0050 in
Eng Internal Radial Clearance - Min	0.0063
Eng Internal Radial Clearance - Max	0.0079
Pre Install Clearance Min	0.0063 in
Pre Install Clearance Max	0.0079 in