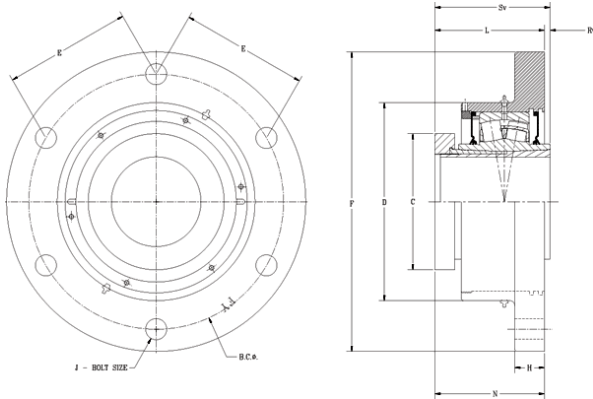




# SNR BEARING CORP.OF AMERICA



## timken QVFX26V110S Solid Block/Spherical Roller Bearing Housed Units-Single V-Lock Round Flange Block

Bearing No. QVFX26V110S

QVFX26V110S Bearing 2D drawings and 3D CAD models

Engineering Group	Mounted Bearing
Shaft Size	110 mm
Shaft Size Type	Metric
Full Timken Part Number	QVFX26V110SB
Locking Style	Single V-Lock
Weight	108.0 lb
Housing Style	Four-Bolt Square Flange
UPC Code	0883450339025
Dimension BC	12.88 in
Dimension C	6.88 in
Dimension D	10.100 in
Dimension E	6.44 in
Dimension F	15.13 in
Dimension H	1.50 in
Dimension J (Bolt Size)	1 in
Dimension L	5.53 in
Dimension L Exp	5.62 in
Dimension L Fix	5.53 in
Dimension N	4.210 in
Dimension RV	0.29 in
Dimension SV	5.82 in
C0 - Static Load	212000 lb
C - Dynamic Load (Basic)	170000 lb
e - Geometry Factor	0.28
Y1 - Geometry Factor	2.43



## SNR BEARING CORP.OF AMERICA

Y2 - Geometry Factor	3.61
Oil Lubrication - M/N Seal	700 rpm
Oil Lubrication - T Seal	1500 rpm
Oil Lubrication - B/C/O Seal	400 rpm
Grease Lubrication - M/N Seal	700 rpm
Grease Lubrication - T Seal	1000 rpm
Grease Lubrication - B/C/O Seal	400 rpm
Float	0.083 in
Shaft Tolerance	0.0050 in
Eng Internal Radial Clearance - Min	0.0053
Eng Internal Radial Clearance - Max	0.0067
Pre Install Clearance Min	0.0053 in
Pre Install Clearance Max	0.0067 in