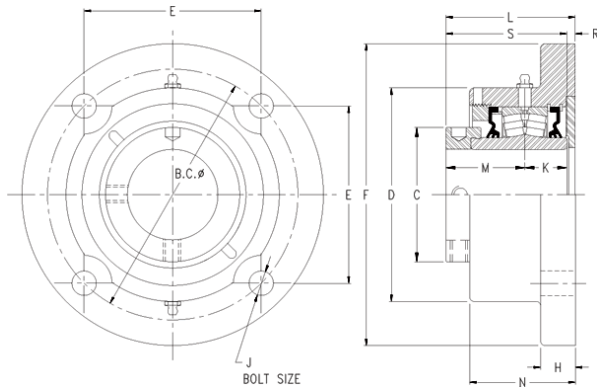




SNR BEARING CORP.OF AMERICA



timken QMFY20J100S Solid Block/Spherical Roller Bearing Housed Units-Eccentric Round Flange Block

Bearing No. QMFY20J100S

QMFY20J100S Bearing 2D drawings and 3D CAD models

Engineering Group	Mounted Bearing
Shaft Size	100 mm
Shaft Size Type	Metric
Full Timken Part Number	QMFY20J100SB
Locking Style	Eccentric
Weight	66 lb
Housing Style	Round Flange
UPC Code	0883450074728
Dimension BC	10.75 in
Dimension C	6.0000 in
Dimension D	8.38 in
Dimension E	7.60 in
Dimension F	12.63 in
Dimension H	1.13 in
Dimension J (Bolt Size)	1 in
Dimension K	1.63 in
Dimension L Exp	4.95 in
Dimension L Fix	4.87 in
Dimension M	2.96 in
Dimension N	3.810 in
Dimension R	0.27 in
Dimension S	4.590 in
C0 - Static Load	113000 lb
C - Dynamic Load (Basic)	97700 lb
e - Geometry Factor	0.24



SNR BEARING CORP.OF AMERICA

Y1 - Geometry Factor	2.85
Y2 - Geometry Factor	4.24
Oil Lubrication - M/N Seal	1200 rpm
Oil Lubrication - T Seal	2000 rpm
Oil Lubrication - B/C/O Seal	900 rpm
Grease Lubrication - M/N Seal	1200 rpm
Grease Lubrication - T Seal	1600 rpm
Grease Lubrication - B/C/O Seal	900 rpm
Float	0.083 in
Shaft Tolerance	0.0030 in
Eng Internal Radial Clearance - Min	0.0030
Eng Internal Radial Clearance - Max	0.0047
Pre Install Clearance Min	0.075 mm
Pre Install Clearance Max	0.120 mm