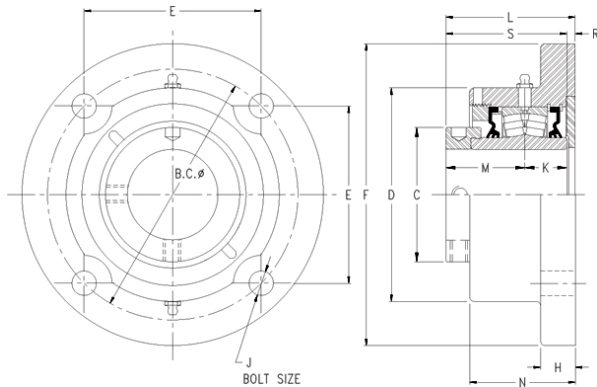




# SNR BEARING CORP.OF AMERICA



## timken QMFY18J080S Solid Block/Spherical Roller Bearing Housed Units-Eccentric Round Flange Block

Bearing No. QMFY18J080S

QMFY18J080S Bearing 2D drawings and 3D CAD models

Engineering Group	Mounted Bearing
Shaft Size	80 mm
Shaft Size Type	Metric
Full Timken Part Number	QMFY18J080SB
Locking Style	Eccentric
Weight	42 lb
Housing Style	Round Flange
UPC Code	0883450074124
Dimension BC	9.50 in
Dimension C	4.760 in
Dimension D	7.63 in
Dimension E	6.72 in
Dimension F	11.13 in
Dimension H	1.13 in
Dimension J (Bolt Size)	0.875 in
Dimension K	1.44 in
Dimension L Exp	4.36 in
Dimension L Fix	4.28 in
Dimension M	2.59 in
Dimension N	3.360 in
Dimension R	0.25 in
Dimension S	4.03 in
C0 - Static Load	87200 lb
C - Dynamic Load (Basic)	79700 lb
e - Geometry Factor	0.23



## SNR BEARING CORP.OF AMERICA

Y1 - Geometry Factor	2.90
Y2 - Geometry Factor	4.31
Oil Lubrication - M/N Seal	1400 rpm
Oil Lubrication - T Seal	2400 rpm
Oil Lubrication - B/C/O Seal	1000 rpm
Grease Lubrication - M/N Seal	1400 rpm
Grease Lubrication - T Seal	2000 rpm
Grease Lubrication - B/C/O Seal	1000 rpm
Float	0.083 in
Shaft Tolerance	0.0030 in
Eng Internal Radial Clearance - Min	0.0024
Eng Internal Radial Clearance - Max	0.0039
Pre Install Clearance Min	0.060 mm
Pre Install Clearance Max	0.100 mm