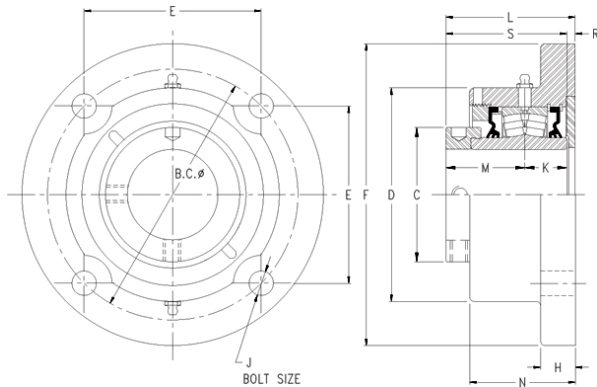




# SNR BEARING CORP.OF AMERICA



## timken QMFY15J215S Solid Block/Spherical Roller Bearing Housed Units-Eccentric Round Flange Block

Bearing No. QMFY15J215S

QMFY15J215S Bearing 2D drawings and 3D CAD models

Engineering Group	Mounted Bearing
Shaft Size	2-15/16 in
Shaft Size Type	Imperial
Full Timken Part Number	QMFY15J215SB
Locking Style	Eccentric
Weight	28 lb
Housing Style	Round Flange
UPC Code	0883450073929
Dimension BC	7.87 in
Dimension C	4.010 in
Dimension D	6.63 in
Dimension E	5.56 in
Dimension F	9.5 in
Dimension H	0.94 in
Dimension J (Bolt Size)	0.75 in
Dimension K	1.25 in
Dimension L Exp	3.96 in
Dimension L Fix	3.88 in
Dimension M	2.37 in
Dimension N	3.0000 in
Dimension R	0.25 in
Dimension S	3.62 in
C0 - Static Load	54100 lb
C - Dynamic Load (Basic)	49900 lb
e - Geometry Factor	0.22



## SNR BEARING CORP.OF AMERICA

Y1 - Geometry Factor	3.14
Y2 - Geometry Factor	4.67
Oil Lubrication - M/N Seal	1600 rpm
Oil Lubrication - T Seal	2900 rpm
Oil Lubrication - B/C/O Seal	1300 rpm
Grease Lubrication - M/N Seal	1600 rpm
Grease Lubrication - T Seal	2400 rpm
Grease Lubrication - B/C/O Seal	1300 rpm
Float	0.083 in
Shaft Tolerance	0.0020 in
Eng Internal Radial Clearance - Min	0.0020
Eng Internal Radial Clearance - Max	0.0031
Pre Install Clearance Min	0.050 mm
Pre Install Clearance Max	0.080 mm