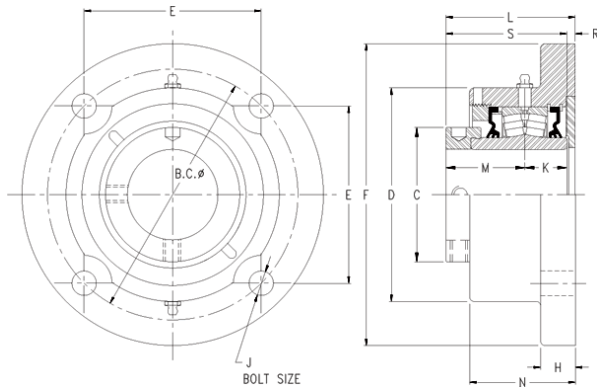




# SNR BEARING CORP.OF AMERICA



## timken QMFY11J055S Solid Block/Spherical Roller Bearing Housed Units-Eccentric Round Flange Block

Bearing No. QMFY11J055S

QMFY11J055S Bearing 2D drawings and 3D CAD models

| Engineering Group        | Mounted Bearing |
|--------------------------|-----------------|
| Shaft Size               | 55 mm           |
| Shaft Size Type          | Metric          |
| Full Timken Part Number  | QMFY11J055SB    |
| Locking Style            | Eccentric       |
| Weight                   | 15.0 lb         |
| Housing Style            | Round Flange    |
| UPC Code                 | 0883450032193   |
| Dimension BC             | 6.38 in         |
| Dimension C              | 2.990 in        |
| Dimension D              | 5.13 in         |
| Dimension E              | 4.50 in         |
| Dimension F              | 7.75 in         |
| Dimension H              | 0.75 in         |
| Dimension J (Bolt Size)  | 0.625 in        |
| Dimension K              | 1.13 in         |
| Dimension L Exp          | 3.32 in         |
| Dimension L Fix          | 3.24 in         |
| Dimension M              | 2.99 in         |
| Dimension N              | 2.440 in        |
| Dimension R              | 0.12 in         |
| Dimension S              | 3.12 in         |
| C0 - Static Load         | 31900 lb        |
| C - Dynamic Load (Basic) | 31400 lb        |
| e - Geometry Factor      | 0.23            |



## SNR BEARING CORP.OF AMERICA

|                                     |           |
|-------------------------------------|-----------|
| Y1 - Geometry Factor                | 2.95      |
| Y2 - Geometry Factor                | 4.40      |
| Oil Lubrication - M/N Seal          | 2200 rpm  |
| Oil Lubrication - T Seal            | 3800 rpm  |
| Oil Lubrication - B/C/O Seal        | 1600 rpm  |
| Grease Lubrication - M/N Seal       | 2200 rpm  |
| Grease Lubrication - T Seal         | 3200 rpm  |
| Grease Lubrication - B/C/O Seal     | 1600 rpm  |
| Float                               | 0.050 in  |
| Shaft Tolerance                     | 0.0015 in |
| Eng Internal Radial Clearance - Min | 0.0016    |
| Eng Internal Radial Clearance - Max | 0.0026    |
| Pre Install Clearance Min           | 0.040 mm  |
| Pre Install Clearance Max           | 0.065 mm  |