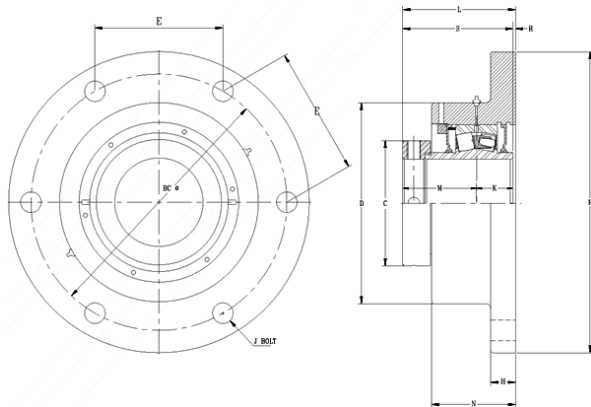




SNR BEARING CORP.OF AMERICA



timken QMFX22J408S Solid Block/Spherical Roller Bearing Housed Units-Eccentric Round Flange Block

Bearing No. QMFX22J408S

QMFX22J408S Bearing 2D drawings and 3D CAD models

Engineering Group	Mounted Bearing
Shaft Size	4-1/2 in
Shaft Size Type	Imperial
Full Timken Part Number	QMFX22J408SB
Locking Style	Eccentric
Weight	46.30 lb
Housing Style	Round Flange
UPC Code	0883450145367
Dimension BC	12.88 in
Dimension C	6.300 in
Dimension D	10.1 in
Dimension E	6.44 in
Dimension F	15.13 in
Dimension H	1.25 in
Dimension J (Bolt Size)	1 in
Dimension K	1.83 in
Dimension L Exp	5.74 in
Dimension L Fix	5.66 in
Dimension M	3.7 in
Dimension N	4.210 in
Dimension R	0.13 in
Dimension S	5.53 in
C0 - Static Load	147000 lb
C - Dynamic Load (Basic)	125000 lb
e - Geometry Factor	0.25



SNR BEARING CORP.OF AMERICA

Y1 - Geometry Factor	2.55
Y2 - Geometry Factor	3.80
Oil Lubrication - M/N Seal	900 rpm
Oil Lubrication - T Seal	1700 rpm
Oil Lubrication - B/C/O Seal	600 rpm
Grease Lubrication - M/N Seal	900 rpm
Grease Lubrication - T Seal	1200 rpm
Grease Lubrication - B/C/O Seal	600 rpm
Float	0.083 in
Shaft Tolerance	0.0050 in
Eng Internal Radial Clearance - Min	0.0030
Eng Internal Radial Clearance - Max	0.0047
Pre Install Clearance Min	0.075 mm
Pre Install Clearance Max	0.120 mm