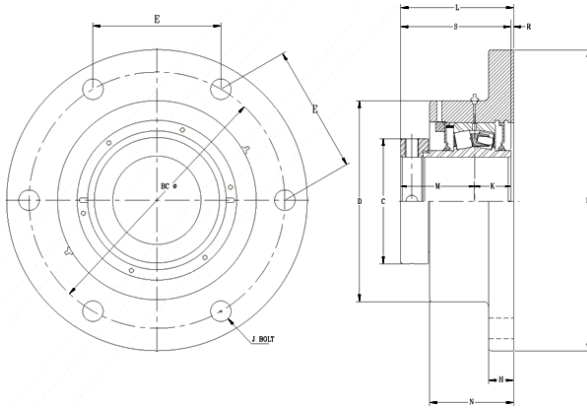




SNR BEARING CORP.OF AMERICA



timken QMFX22J110S Solid Block/Spherical Roller Bearing Housed Units-Eccentric Round Flange Block

Bearing No. QMFX22J110S

QMFX22J110S Bearing 2D drawings and 3D CAD models

Engineering Group	Mounted Bearing
Shaft Size	110 mm
Shaft Size Type	Metric
Full Timken Part Number	QMFX22J110SB
Locking Style	Eccentric
Weight	46.30 lb
Housing Style	Round Flange
UPC Code	0883450383240
Dimension BC	12.88 in
Dimension C	6.300 in
Dimension D	10.1 in
Dimension E	6.44 in
Dimension F	15.13 in
Dimension H	1.25 in
Dimension J (Bolt Size)	1 in
Dimension K	1.83 in
Dimension L Exp	5.74 in
Dimension L Fix	5.66 in
Dimension M	3.7 in
Dimension N	4.210 in
Dimension R	0.13 in
Dimension S	5.53 in
C0 - Static Load	147000 lb
C - Dynamic Load (Basic)	125000 lb
e - Geometry Factor	0.25



SNR BEARING CORP.OF AMERICA

Y1 - Geometry Factor	2.55
Y2 - Geometry Factor	3.80
Oil Lubrication - M/N Seal	900 rpm
Oil Lubrication - T Seal	1700 rpm
Oil Lubrication - B/C/O Seal	600 rpm
Grease Lubrication - M/N Seal	900 rpm
Grease Lubrication - T Seal	1200 rpm
Grease Lubrication - B/C/O Seal	600 rpm
Float	0.083 in
Shaft Tolerance	0.0050 in
Eng Internal Radial Clearance - Min	0.0030
Eng Internal Radial Clearance - Max	0.0047
Pre Install Clearance Min	0.075 mm
Pre Install Clearance Max	0.120 mm