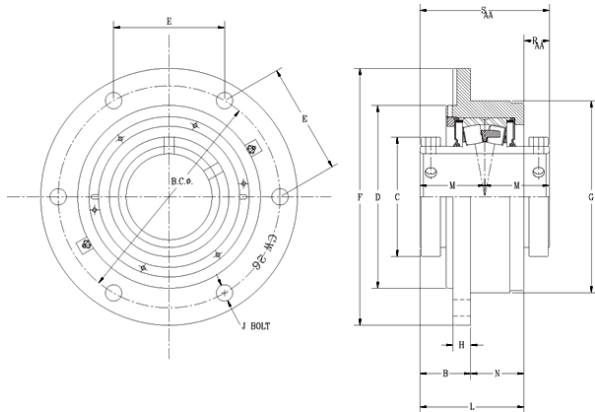




SNR BEARING CORP.OF AMERICA



timken QAACW26A130S Solid Block/Spherical Roller Bearing Housed Units-Double Concentric Piloted Flange Cartridge

Bearing No. QAACW26A130S

QAACW26A130S Bearing 2D drawings and 3D CAD models

Engineering Group	Mounted Bearing
Shaft Size	130 mm
Shaft Size Type	Metric
Full Timken Part Number	QAACW26A130SB
Locking Style	Double Concentric
Weight	102 lb
Housing Style	Piloted Flange Cartridge
UPC Code	0883450306225
Dimension BC	12.75 in
Dimension C	6.890 in
Dimension E	6.38 in
Dimension B Fix	2.90 in
Dimension B Exp	2.98 in
Dimension F	14.75 in
Dimension D	10.50 in
Dimension H	1.03 in
Dimension J (Bolt Size)	0.875 in
Dimension M	3.72 in
Dimension G	11.000 in
Dimension L Exp	6.11 in
Dimension L Fix	6.03 in
Dimension N	3.07 in
Dimension RAA	1.41 in
Dimension SAA	7.44 in
C0 - Static Load	212000 lb



SNR BEARING CORP.OF AMERICA

C - Dynamic Load (Basic)	170000 lb
e - Geometry Factor	0.26
Y1 - Geometry Factor	2.62
Y2 - Geometry Factor	3.90
Oil Lubrication - M/N Seal	700 rpm
Oil Lubrication - T Seal	1500 rpm
Oil Lubrication - B/C/O Seal	400 rpm
Grease Lubrication - M/N Seal	700 rpm
Grease Lubrication - T Seal	1000 rpm
Grease Lubrication - B/C/O Seal	400 rpm
Float	0.083 in
Shaft Tolerance	0.0050 in
Eng Internal Radial Clearance - Min	0.0037
Eng Internal Radial Clearance - Max	0.0057
Pre Install Clearance Min	0.0037 in
Pre Install Clearance Max	0.0057 in