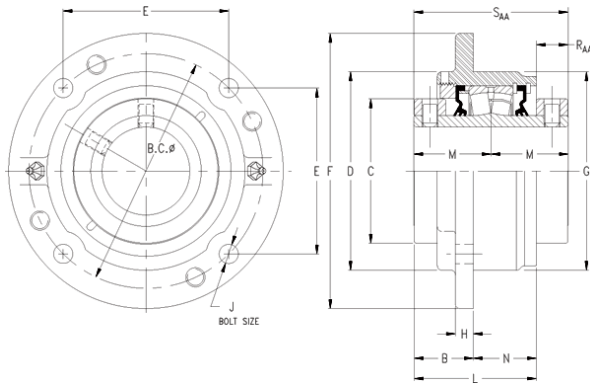




# SNR BEARING CORP.OF AMERICA



## timken QAACW18A308S Solid Block/Spherical Roller Bearing Housed Units-Double Concentric Piloted Flange Cartridge

Bearing No. QAACW18A308S

QAACW18A308S Bearing 2D drawings and 3D CAD models

Engineering Group	Mounted Bearing
Shaft Size	3-1/2 in
Shaft Size Type	Imperial
Full Timken Part Number	QAACW18A308SB
Locking Style	Double Concentric
Weight	32 lb
Housing Style	Piloted Flange Cartridge
UPC Code	0883450017909
Dimension BC	8.63 in
Dimension C	5.130 in
Dimension E	6.10 in
Dimension B Fix	2.29 in
Dimension B Exp	2.37 in
Dimension F	10.25 in
Dimension D	7.38 in
Dimension H	0.88 in
Dimension J (Bolt Size)	0.75 in
Dimension M	2.59 in
Dimension G	7.375 in
Dimension L Exp	4.25 in
Dimension L Fix	4.17 in
Dimension N	1.88 in
Dimension RAA	0.84 in
Dimension SAA	5.18 in
C0 - Static Load	87200 lb



## SNR BEARING CORP.OF AMERICA

C - Dynamic Load (Basic)	79700 lb
e - Geometry Factor	0.23
Y1 - Geometry Factor	2.90
Y2 - Geometry Factor	4.31
Oil Lubrication - M/N Seal	1400 rpm
Oil Lubrication - T Seal	2400 rpm
Oil Lubrication - B/C/O Seal	1000 rpm
Grease Lubrication - M/N Seal	1400 rpm
Grease Lubrication - T Seal	2000 rpm
Grease Lubrication - B/C/O Seal	1000 rpm
Float	0.083 in
Shaft Tolerance	0.0030 in
Eng Internal Radial Clearance - Min	0.0024
Eng Internal Radial Clearance - Max	0.0039
Pre Install Clearance Min	0.0024 in
Pre Install Clearance Max	0.0039 in