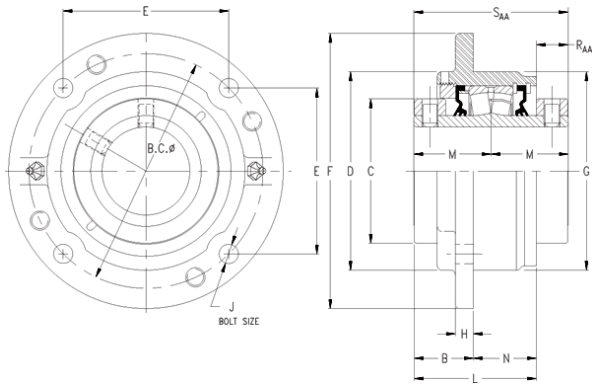




SNR BEARING CORP.OF AMERICA



timken QAACW10A115S Solid Block/Spherical Roller Bearing Housed Units-Double Concentric Piloted Flange Cartridge

Bearing No. QAACW10A115S

QAACW10A115S Bearing 2D drawings and 3D CAD models

Engineering Group	Mounted Bearing
Shaft Size	1-15/16 in
Shaft Size Type	Imperial
Full Timken Part Number	QAACW10A115SB
Locking Style	Double Concentric
Weight	10 lb
Housing Style	Piloted Flange Cartridge
UPC Code	0883450016704
Dimension BC	5.38 in
Dimension C	2.880 in
Dimension E	3.80 in
Dimension B Fix	1.39 in
Dimension B Exp	1.47 in
Dimension F	6.38 in
Dimension D	4.47 in
Dimension H	0.38 in
Dimension J (Bolt Size)	0.438 in
Dimension M	1.87 in
Dimension G	4.500 in
Dimension L Exp	2.97 in
Dimension L Fix	2.89 in
Dimension N	1.50 in
Dimension RAA	0.89 in
Dimension SAA	3.75 in
C0 - Static Load	26600 lb



SNR BEARING CORP.OF AMERICA

C - Dynamic Load (Basic)	26300 lb
e - Geometry Factor	0.24
Y1 - Geometry Factor	2.84
Y2 - Geometry Factor	4.23
Oil Lubrication - M/N Seal	2400 rpm
Oil Lubrication - T Seal	4200 rpm
Oil Lubrication - B/C/O Seal	1800 rpm
Grease Lubrication - M/N Seal	2400 rpm
Grease Lubrication - T Seal	3550 rpm
Grease Lubrication - B/C/O Seal	1800 rpm
Float	0.050 in
Shaft Tolerance	0.0015 in
Eng Internal Radial Clearance - Min	0.0016
Eng Internal Radial Clearance - Max	0.0026
Pre Install Clearance Min	0.0016 in
Pre Install Clearance Max	0.0026 in