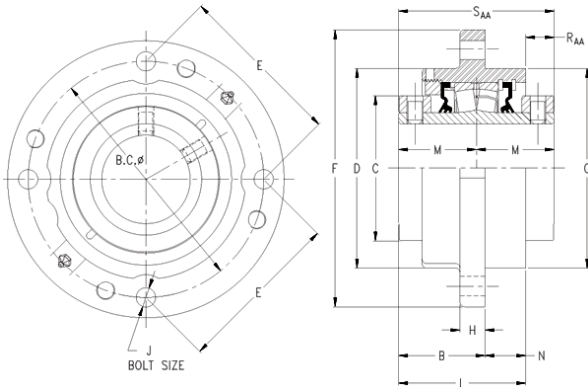




SNR BEARING CORP.OF AMERICA



timken QAAC13A060S Solid Block/Spherical Roller Bearing Housed Units-Double Concentric Piloted Flange Cartridge

Bearing No. QAAC13A060S

QAAC13A060S Bearing 2D drawings and 3D CAD models

Engineering Group	Mounted Bearing
Shaft Size	60 mm
Shaft Size Type	Metric
Full Timken Part Number	QAAC13A060SB
Locking Style	Double Concentric
Weight	16 lb
Housing Style	Piloted Flange Cartridge
UPC Code	0883450032049
Dimension BC	6.50 in
Dimension C	3.810 in
Dimension E	4.60 in
Dimension B Fix	2.38 in
Dimension B Exp	2.46 in
Dimension F	7.63 in
Dimension D	5.50 in
Dimension H	0.69 in
Dimension J (Bolt Size)	0.5 in
Dimension M	2.15 in
Dimension G	5.500 in
Dimension L Exp	3.58 in
Dimension L Fix	3.50 in
Dimension N	1.13 in
Dimension RAA	0.80 in
Dimension SAA	4.3 in
C0 - Static Load	48600 lb



SNR BEARING CORP.OF AMERICA

C - Dynamic Load (Basic)	46400 lb
e - Geometry Factor	0.24
Y1 - Geometry Factor	2.79
Y2 - Geometry Factor	4.15
Oil Lubrication - M/N Seal	1800 rpm
Oil Lubrication - T Seal	3200 rpm
Oil Lubrication - B/C/O Seal	1500 rpm
Grease Lubrication - M/N Seal	1800 rpm
Grease Lubrication - T Seal	2800 rpm
Grease Lubrication - B/C/O Seal	1500 rpm
Float	0.083 in
Shaft Tolerance	0.0015 in
Eng Internal Radial Clearance - Min	0.0016
Eng Internal Radial Clearance - Max	0.0026
Pre Install Clearance Min	0.0016 in
Pre Install Clearance Max	0.0026 in