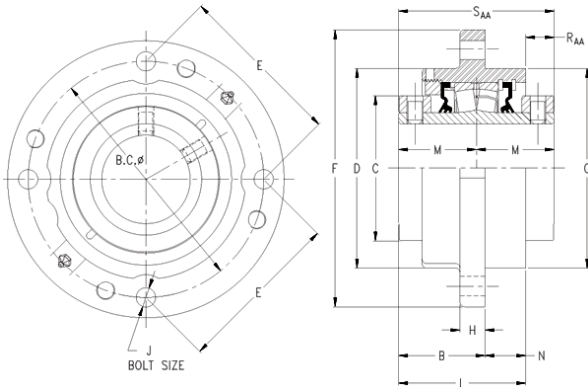




# SNR BEARING CORP.OF AMERICA



## timken QAAC18A080S Solid Block/Spherical Roller Bearing Housed Units-Double Concentric Piloted Flange Cartridge

Bearing No. QAAC18A080S

QAAC18A080S Bearing 2D drawings and 3D CAD models

Engineering Group	Mounted Bearing
Shaft Size	80 mm
Shaft Size Type	Metric
Full Timken Part Number	QAAC18A080SB
Locking Style	Double Concentric
Weight	32 lb
Housing Style	Piloted Flange Cartridge
UPC Code	0883450033633
Dimension BC	8.63 in
Dimension C	5.130 in
Dimension E	6.10 in
Dimension B Fix	2.88 in
Dimension B Exp	2.96 in
Dimension F	10.34 in
Dimension D	7.38 in
Dimension H	1.00 in
Dimension J (Bolt Size)	0.75 in
Dimension M	2.59 in
Dimension G	7.375 in
Dimension L Exp	4.27 in
Dimension L Fix	4.19 in
Dimension N	1.31 in
Dimension RAA	0.99 in
Dimension SAA	5.18 in
C0 - Static Load	87200 lb



## SNR BEARING CORP.OF AMERICA

C - Dynamic Load (Basic)	79700 lb
e - Geometry Factor	0.23
Y1 - Geometry Factor	2.90
Y2 - Geometry Factor	4.31
Oil Lubrication - M/N Seal	1400 rpm
Oil Lubrication - T Seal	2400 rpm
Oil Lubrication - B/C/O Seal	1000 rpm
Grease Lubrication - M/N Seal	1400 rpm
Grease Lubrication - T Seal	2000 rpm
Grease Lubrication - B/C/O Seal	1000 rpm
Float	0.083 in
Shaft Tolerance	0.0030 in
Eng Internal Radial Clearance - Min	0.0024
Eng Internal Radial Clearance - Max	0.0039
Pre Install Clearance Min	0.0024 in
Pre Install Clearance Max	0.0039 in