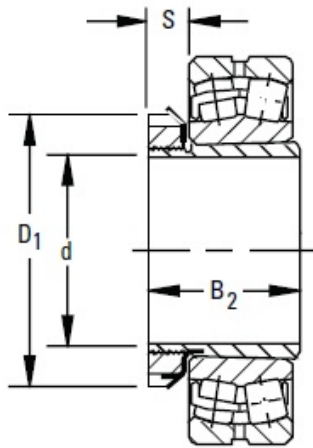




# SNR BEARING CORP.OF AMERICA



## timken SNP-3172 x 13 7/16 SNW/SNP-Pull-Type Sleeve, Locknut, Lockwasher/Lockplate Assemblies

Bearing No. SNP-3172 x 13 7/16

Series	231K
Diameter d	13 7/16 in
Taper	1:12
SNW/SNP Assembly Weight	120 lb
Tolerance <sup>1</sup>	-0.007 in
B <sub>2</sub>	9.852 in
S	1.916 in
D <sub>1</sub>	16.505 in
Sleeve	S-3172
Locknut	N-072
Lockwasher and Lockplates	P-72

SNP-3172 x 13 7/16 Bearing 2D drawings and 3D CAD models