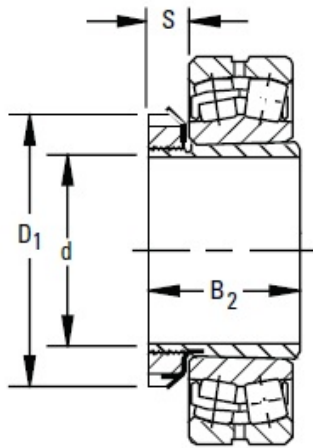




SNR BEARING CORP.OF AMERICA



timken SNP-3152 x 9 1/2 SNW/SNP-Pull-Type Sleeve, Locknut, Lockwasher/Lockplate Assemblies

Bearing No. SNP-3152 x 9 1/2

Series	231K
Diameter d	9 1/2 in
Taper	1:12
SNW/SNP Assembly Weight	44.09 lb
Tolerance ¹	-0.006 in
B_2	7.583 in
S	1.541 in
D_1	12.193 in
Sleeve	S-52 x 9 1/2
Locknut	N-052
Lockwasher and Lockplates	P-52

SNP-3152 x 9 1/2 Bearing 2D drawings and 3D CAD models