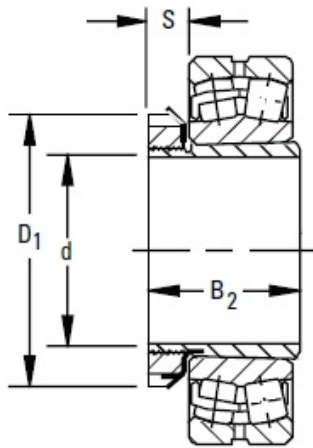




# SNR BEARING CORP.OF AMERICA



## timken SNW-144 x 7 15/16 SNW/SNP-Pull-Type Sleeve, Locknut, Lockwasher/Lockplate Assemblies

Bearing No. SNW-144 x 7 15/16

Series	223K and 232K
Diameter d	7 15/16 in
Taper	1:12
SNW/SNP Assembly Weight	36.8 lb
Tolerance <sup>1</sup>	-0.005 in
B <sub>2</sub>	7.277 in
S	1.406 in
D <sub>1</sub>	10.255 in
Sleeve	S-144
Locknut	N-044
Lockwasher and Lockplates	W-44

SNW-144 x 7 15/16 Bearing 2D drawings and 3D CAD models