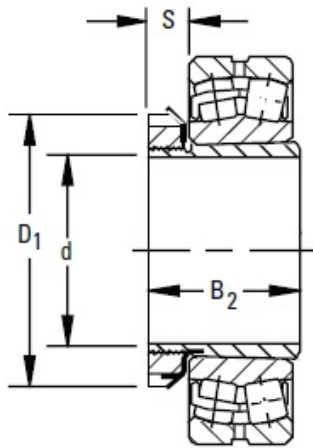




# SNR BEARING CORP.OF AMERICA



## timken SNW-140 x 7 1/4 SNW/SNP-Pull-Type Sleeve, Locknut, Lockwasher/Lockplate Assemblies

Bearing No. SNW-140 x 7 1/4

Series	223K and 232K
Diameter d	7 1/4 in
Taper	1:12
SNW/SNP Assembly Weight	30.6 lb
Tolerance <sup>1</sup>	-0.005 in
$B_2$	7.085 in
S	1.344 in
$D_1$	9.849 in
Sleeve	S-140 x 7 1/4
Locknut	AN-40
Lockwasher and Lockplates	W-40

SNW-140 x 7 1/4 Bearing 2D drawings and 3D CAD models