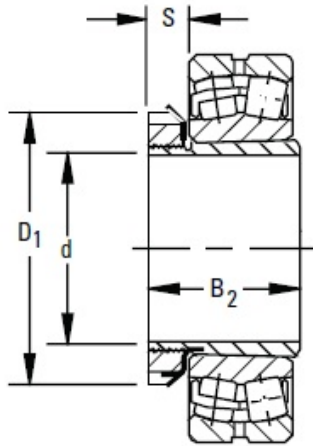




SNR BEARING CORP.OF AMERICA



timken SNW-138 x 6 7/8 SNW/SNP-Pull-Type Sleeve, Locknut, Lockwasher/Lockplate Assemblies

Bearing No. SNW-138 x 6 7/8

Series	223K and 232K
Diameter d	6 7/8 in
Taper	1:12
SNW/SNP Assembly Weight	27.8 lb
Tolerance ¹	-0.005 in
B_2	6.748 in
S	1.281 in
D_1	9.474 in
Sleeve	S-138 x 6 7/8
Locknut	AN-38
Lockwasher and Lockplates	W-38

SNW-138 x 6 7/8 Bearing 2D drawings and 3D CAD models