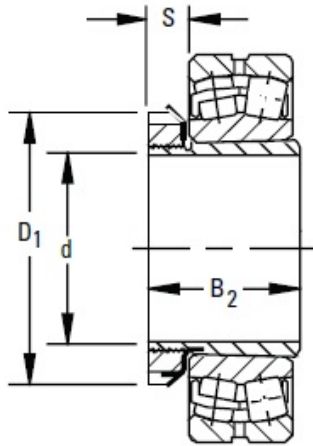




SNR BEARING CORP.OF AMERICA



timken SNW-128 x 5 SNW/SNP-Pull-Type Sleeve, Locknut, Lockwasher/Lockplate Assemblies

Bearing No. SNW-128 x 5

Series	223K and 232K
Diameter d	5 in
Taper	1:12
SNW/SNP Assembly Weight	12.2 lb
Tolerance ¹	-0.005 in
B ₂	5.313 in
S	1.063 in
D ₁	7.099 in
Sleeve	S-128 x 5
Locknut	AN-28
Lockwasher and Lockplates	W-28

SNW-128 x 5 Bearing 2D drawings and 3D CAD models