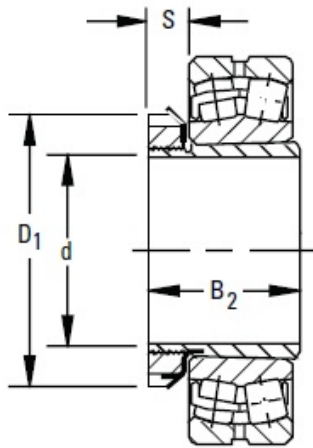




SNR BEARING CORP.OF AMERICA



timken SNW-126 x 4 9/16 SNW/SNP-Pull-Type Sleeve, Locknut, Lockwasher/Lockplate Assemblies

Bearing No. SNW-126 x 4 9/16

| | |
|---------------------------|----------------|
| Series | 223K and 232K |
| Diameter d | 4 9/16 in |
| Taper | 1:12 |
| SNW/SNP Assembly Weight | 10.1 lb |
| Tolerance ¹ | -0.005 in |
| B ₂ | 4.972 in |
| S | 1.000 in |
| D ₁ | 6.755 in |
| Sleeve | S-126 x 4 9/16 |
| Locknut | AN-26 |
| Lockwasher and Lockplates | W-26 |

SNW-126 x 4 9/16 Bearing 2D drawings and 3D CAD models