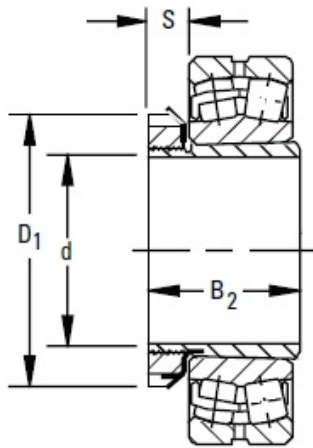




# SNR BEARING CORP.OF AMERICA



## timken SNW-128 x 4 15/16 SNW/SNP-Pull-Type Sleeve, Locknut, Lockwasher/Lockplate Assemblies

Bearing No. SNW-128 x 4 15/16

Series	223K and 232K
Diameter d	4 15/16 in
Taper	1:12
SNW/SNP Assembly Weight	12.2 lb
Tolerance <sup>1</sup>	-0.005 in
B <sub>2</sub>	5.313 in
S	1.063 in
D <sub>1</sub>	7.099 in
Sleeve	S-128
Locknut	AN-28
Lockwasher and Lockplates	W-28

SNW-128 x 4 15/16 Bearing 2D drawings and 3D CAD models