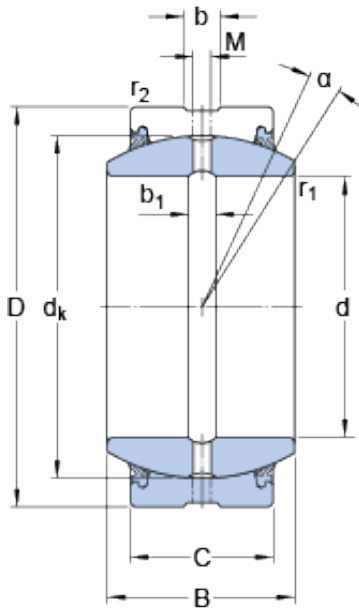




SNR BEARING CORP.OF AMERICA

220 mm x 320 mm x 135 mm skf GE 220 ES-2RS Radial spherical plain bearings

Bearing No. GE 220 ES-2RS



GE 220 ES-2RS Bearing 2D drawings and 3D CAD models

Size	320x220x135 mm
Bore Diameter	320 mm
Outer Diameter	220 mm
Width	135 mm
d	220 mm
D	320 mm
B	135 mm
C	100 mm
	8 °
d _k	275 mm
b	15.5 mm
b ₁	15.5 mm
M	7 mm
r ₁ - min.	1.1 mm
r ₂ - min.	1.1 mm
d _a - min.	232.5 mm
d _a - max.	239.5 mm
D _a - min.	271 mm
D _a - max.	309.5 mm
r _a - max.	1 mm
r _b - max.	1 mm
Basic dynamic load rating - C	2320 kN
Basic static load rating - C ₀	11600 kN
Specific factor dinamic load - K	100 N/mm ²



SNR BEARING CORP.OF AMERICA

Specific factor static load - K_0	500 N/mm ²
Constant - K_M	330
Category	Spherical Plain Bearings - Radial
Inventory	0.0
Manufacturer Name	SKF
Minimum Buy Quantity	N/A
Weight / Kilogram	40.036
Product Group	B04264
Self Aligning	Yes
Rolling Element	Spherical Plain
Material - Outer Member	Steel
Material - Ball	Steel
Material - Liner	Not Applicable
Relubricatable	Yes
Enclosure	2 Seals
Other Features	2 Piece Double Lip Seals Lubrication Hole and an Annular Groove in Both Rings
Long Description	220MM Bore; 100MM Housing Width; 320MM Outside Diameter; Spherical Plain; Steel Outer Member; Steel Ball; No Liner; 135MM Overall Width; Relubricatable
Inch - Metric	Metric
Category	Plain Bearings Spherical Radial
UNSPSC	31171515
Harmonized Tariff Code	8483.30.80.70
Noun	Bearing
Keyword 3	Spherical



SNR BEARING CORP.OF AMERICA

Keyword String	Plain Spherical Radial
Manufacturer URL	http://www.skf.com
Manufacturer Item Number	GE 220 ES-2RS
Weight / LBS	78.264
Outside Diameter	12.598 Inch 320 Millimeter
Overall Width	5.315 Inch 135 Millimeter
Housing Width	3.937 Inch 100 Millimeter
Bore	8.661 Inch 220 Millimeter
bore diameter:	220 mm
inner ring material:	Steel
outside diameter:	320 mm
outer ring width:	100 mm
misalignment angle:	8 °
grade:	Commercial/Industrial
inner ring width:	135 mm
overall width:	135 mm
bearing type:	Radial
radial static load capacity:	11600 kN
lubrication type:	Requires Lubrication
radial dynamic load capacity:	2320 kN
closure type:	Sealed
operating temperature range:	-30 to +130 ° C ° F
outer ring material:	Steel
manufacturer upc number:	7316577035561
Lubricant	Regular relubrication – grease
Design (sliding contact surface combination)	Steel/steel
Sealing solution	Double-lip seals
	8 °
d _k	275 mm



SNR BEARING CORP.OF AMERICA

b_1	15.5 mm
r_1 min.	1.1 mm
r_2 min.	1.1 mm
d_a min.	232.5 mm
d_a max.	239.5 mm
D_a min.	271 mm
D_a max.	309.5 mm
r_a max.	1 mm
r_b max.	1 mm
Basic dynamic load rating C	2320 kN
Basic static load rating C_0	11600 kN
Specific dynamic load factor K	100 N/mm ²
Specific static load factor K_0	500 N/mm ²
Material constant K_M	330
Mass plain bearing	35.5 kg