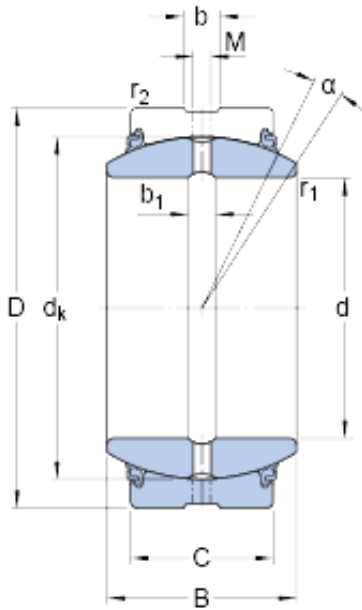




SNR BEARING CORP.OF AMERICA

34.925 mm x 55.563 mm x 30.15 mm skf GEZ
106 ESX-2LS Radial spherical plain bearings

Bearing No. GEZ 106 ESX-2LS



GEZ 106 ESX-2LS Bearing 2D drawings and 3D CAD models

Size	55.563x34.925x30.15 mm
Bore Diameter	55,563 mm
Outer Diameter	34,925 mm
Width	30,15 mm
d	34.925 mm
D	55.563 mm
B	30.15 mm
C	26.187 mm
	5 °
dk	49.2 mm
b	4.8 mm
b ₁	5 mm
M	4 mm
r ₁ - min.	0.6 mm
r ₂ - min.	1 mm
d _a - min.	38.1 mm
d _a - max.	38.9 mm
D _a - min.	47.1 mm
D _a - max.	51.7 mm
r _a - max.	0.6 mm
r _b - max.	1 mm
Basic dynamic load rating - C	156 kN
Basic static load rating - C ₀	310 kN
Specific factor dinamic load - K	150 N/mm ²



SNR BEARING CORP.OF AMERICA

Specific factor static load - K_0	300 N/mm ²
Constant - K_M	330
Lubricant	Maintenance free – greased for life
Design (sliding contact surface combination)	Steel/steel
Sealing solution	Triple-lip seals
	5 °
d_k	49.2 mm
b_1	5 mm
r_1 min.	0.6 mm
r_2 min.	1 mm
d_a min.	38.1 mm
d_a max.	38.9 mm
D_a min.	47.1 mm
D_a max.	51.7 mm
r_a max.	0.6 mm
r_b max.	1 mm
Basic dynamic load rating C	156 kN
Basic static load rating C_0	310 kN
Specific dynamic load factor K	150 N/mm ²
Specific static load factor K_0	300 N/mm ²
Material constant K_M	330
Mass plain bearing	0.35 kg