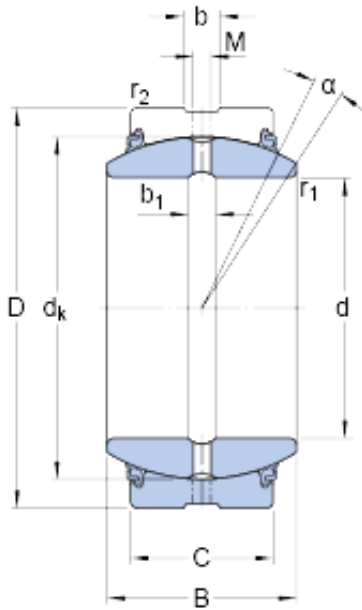




SNR BEARING CORP.OF AMERICA

69.85 mm x 111.125 mm x 61.112 mm skf GEZ
212 ESX-2LS Radial spherical plain bearings



GEZ 212 ESX-2LS Bearing 2D drawings and 3D CAD models

Bearing No. GEZ 212 ESX-2LS

| | |
|---|-------------------------|
| Size | 111.125x69.85x61.112 mm |
| Bore Diameter | 111,125 mm |
| Outer Diameter | 69,85 mm |
| Width | 61,112 mm |
| d | 69.85 mm |
| D | 111.125 mm |
| B | 61.112 mm |
| C | 52.375 mm |
| | 6 ° |
| d _k | 100.33 mm |
| b | 9 mm |
| b ₁ | 8 mm |
| M | 6.5 mm |
| r ₁ - min. | 0.6 mm |
| r ₂ - min. | 1 mm |
| d _a - min. | 74.9 mm |
| d _a - max. | 79.6 mm |
| D _a - min. | 96 mm |
| D _a - max. | 105.7 mm |
| r _a - max. | 0.6 mm |
| r _b - max. | 1 mm |
| Basic dynamic load rating - C | 630 kN |
| Basic static load rating - C ₀ | 1270 kN |
| Specific factor dinamic load - K | 150 N/mm ² |



SNR BEARING CORP.OF AMERICA

| | |
|--|-------------------------------------|
| Specific factor static load - K_0 | 300 N/mm ² |
| Constant - K_M | 330 |
| Lubricant | Maintenance free – greased for life |
| Design (sliding contact surface combination) | Steel/steel |
| Sealing solution | Triple-lip seals |
| | 6 ° |
| d_k | 100.33 mm |
| b_1 | 8 mm |
| r_1 min. | 0.6 mm |
| r_2 min. | 1 mm |
| d_a min. | 74.9 mm |
| d_a max. | 79.6 mm |
| D_a min. | 96 mm |
| D_a max. | 105.7 mm |
| r_a max. | 0.6 mm |
| r_b max. | 1 mm |
| Basic dynamic load rating C | 630 kN |
| Basic static load rating C_0 | 1270 kN |
| Specific dynamic load factor K | 150 N/mm ² |
| Specific static load factor K_0 | 300 N/mm ² |
| Material constant K_M | 330 |
| Mass plain bearing | 2.4 kg |