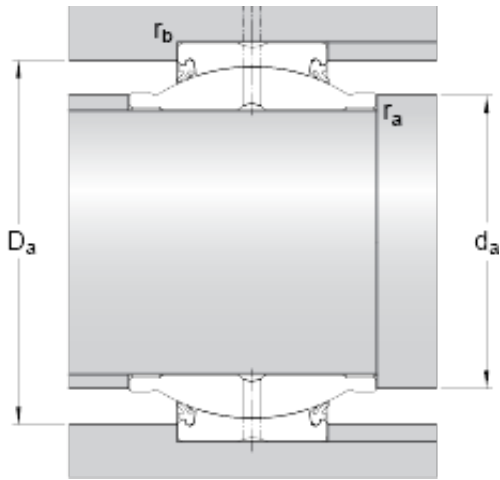




SNR BEARING CORP.OF AMERICA



95.25 mm x 149.225 mm x 142.875 mm skf
 GEZM 312 ES-2RS Radial spherical plain bearings

Bearing No. GEZM 312 ES-2RS

GEZM 312 ES-2RS Bearing 2D drawings and 3D CAD models

Lubricant	Regular relubrication – grease
Design (sliding contact surface combination)	Steel/steel
Sealing solution	Double-lip seals
d	95.25 mm
D	149.225 mm
B	142.875 mm
C	71.425 mm
	5 °
d _k	136.906 mm
d ₁	116.586 mm
b	10.5 mm
b ₁	8 mm
M	6.5 mm
r ₁ min.	1 mm
r ₂ min.	1 mm
d _a min.	102.5 mm
d _a max.	116.6 mm
D _a min.	131.4 mm
D _a max.	143.1 mm
r _a max.	1 mm
r _b max.	1 mm
Basic dynamic load rating C	780 kN
Basic static load rating C ₀	2360 kN
Specific dynamic load factor	100 N/mm ²



SNR BEARING CORP.OF AMERICA

K	
Specific static load factor K_0	300 N/mm ²
Material constant K_M	330
Mass plain bearing	7.6 kg