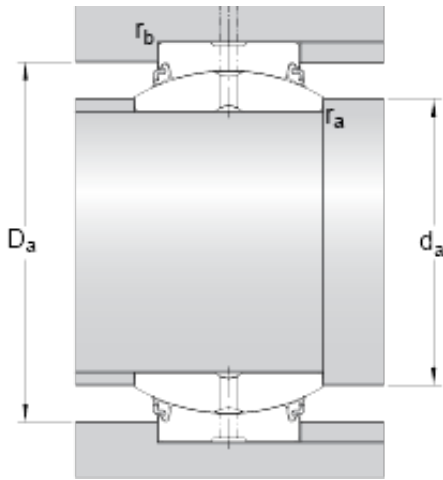




SNR BEARING CORP.OF AMERICA



127 mm x 196.85 mm x 111.125 mm skf GEZ
500 ESL-2LS Radial spherical plain bearings

Bearing No. GEZ 500 ESL-2LS

GEZ 500 ESL-2LS Bearing 2D drawings and 3D CAD models

| | |
|--|---------------------------------|
| Lubricant | Regular relubrication – grease |
| Design (sliding contact surface combination) | Steel/steel, heavy-duty bearing |
| Sealing solution | Triple-lip seals |
| d | 127 mm |
| D | 196.85 mm |
| B | 111.125 mm |
| C | 95.25 mm |
| | 6 ° |
| d _k | 182.626 mm |
| b | 11 mm |
| b ₁ | 10 mm |
| M | 8 mm |
| r ₁ min. | 1 mm |
| r ₂ min. | 1.1 mm |
| d _a min. | 135.5 mm |
| d _a max. | 144.5 mm |
| D _a min. | 175.5 mm |
| D _a max. | 188.5 mm |
| r _a max. | 1 mm |
| r _b max. | 1.1 mm |
| Basic dynamic load rating C | 1400 kN |
| Basic static load rating C ₀ | 4150 kN |
| Specific dynamic load factor K | 100 N/mm ² |
| | |



SNR BEARING CORP.OF AMERICA

| | |
|-----------------------------------|-----------------------|
| Specific static load factor K_0 | 300 N/mm ² |
| Material constant K_M | 330 |
| Mass plain bearing | 13.5 kg |