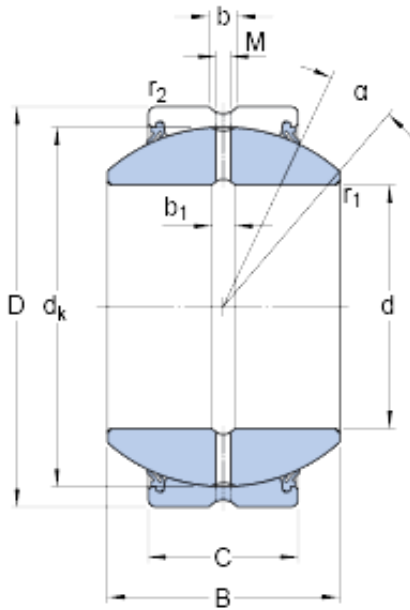




SNR BEARING CORP.OF AMERICA

30 mm x 55 mm x 32 mm skf GEH 30 ES-2RS Radial spherical plain bearings

Bearing No. GEH 30 ES-2RS



GEH 30 ES-2RS Bearing 2D drawings and 3D CAD models

Size	55x30x32 mm
Bore Diameter	55 mm
Outer Diameter	30 mm
Width	32 mm
d	30 mm
D	55 mm
B	32 mm
C	20 mm
	17 °
d _k	47 mm
b	3.9 mm
b ₁	3.9 mm
M	2.5 mm
r ₁ - min.	0.6 mm
r ₂ - min.	1 mm
d _a - min.	33.7 mm
d _a - max.	34.4 mm
D _a - min.	48.5 mm
D _a - max.	50.9 mm
r _a - max.	0.6 mm
r _b - max.	1 mm
Basic dynamic load rating - C	80 kN
Basic static load rating - C ₀	400 kN
Specific factor dinamic load - K	100 N/mm ²



SNR BEARING CORP.OF AMERICA

Specific factor static load - K_0	500 N/mm ²
Constant - K_M	330
Size	30x55x32 mm
Bore Diameter	30 mm
Outer Diameter	55 mm
Width	32 mm
d	30 mm
D	55 mm
B	32 mm
C	20 mm
	17 °
d_k	47 mm
b	3.9 mm
b_1	3.9 mm
M	2.5 mm
r_1 - min.	0.6 mm
r_2 - min.	1 mm
d_a - min.	33.7 mm
d_a - max.	34.4 mm
D_a - min.	48.5 mm
D_a - max.	50.9 mm
r_a - max.	0.6 mm
r_b - max.	1 mm
Basic dynamic load rating - C	80 kN
Basic static load rating - C_0	400 kN
Specific factor dynamic load - K	100 N/mm ²
Specific factor static load - K_0	500 N/mm ²
Constant - K_M	330



SNR BEARING CORP.OF AMERICA

Category	Spherical Plain Bearings - Radial
Inventory	0.0
Manufacturer Name	SKF
Minimum Buy Quantity	N/A
Weight / Kilogram	0.35
EAN	7316577003218
Product Group	B04286
Self Aligning	Yes
Rolling Element	Spherical Plain
Material - Outer Member	Steel
Material - Ball	Steel
Material - Liner	Not Applicable
Relubricatable	Yes
Enclosure	2 Seals
Other Features	2 Piece Larger Tilt Angle Double Lip Seals Lubrication Hole and an Annular Groove in Both Rings
Long Description	30MM Bore; 20MM Housing Width; 55MM Outside Diameter; Spherical Plain; Steel Outer Member; Steel Ball; No Liner; 32MM Overall Width; Relubricatable
Inch - Metric	Metric
Category	Plain Bearings Spherical Radial
UNSPSC	31171515
Harmonized Tariff Code	8483.30.80.70
Noun	Bearing
Keyword 3	Spherical
Keyword String	Plain Spherical Radial
Manufacturer URL	http://www.skf.com



SNR BEARING CORP.OF AMERICA

Manufacturer Item Number	GEH 30 ES-2RS
Weight / LBS	0.772
Housing Width	0.787 Inch 20 Millimeter
Overall Width	1.26 Inch 32 Millimeter
Bore	1.181 Inch 30 Millimeter
Outside Diameter	2.165 Inch 55 Millimeter
bore diameter:	30 mm
inner ring material:	Chrome Steel
outside diameter:	55 mm
outer ring width:	20 mm
misalignment angle:	17 °
overall width:	32 mm
inner ring width:	32 mm
radial static load capacity:	400 kN
bearing type:	Radial
radial dynamic load capacity:	80 kN
lubrication type:	Requires Lubrication
operating temperature range:	-30 to +130 ° C ° F
closure type:	Sealed
manufacturer upc number:	7316577003218
outer ring material:	Chrome Steel
Lubricant	Regular relubrication – grease
Design (sliding contact surface combination)	Steel/steel
Sealing solution	Double-lip seals
	17 °
d _k	47 mm
b ₁	3.9 mm
r ₁ min.	0.6 mm
r ₂ min.	1 mm



SNR BEARING CORP.OF AMERICA

d_a min.	33.7 mm
d_a max.	34.4 mm
D_a min.	48.5 mm
D_a max.	50.9 mm
r_a max.	0.6 mm
r_b max.	1 mm
Basic dynamic load rating C	80 kN
Basic static load rating C_0	400 kN
Specific dynamic load factor K	100 N/mm ²
Specific static load factor K_0	500 N/mm ²
Material constant K_M	330
Mass plain bearing	0.35 kg