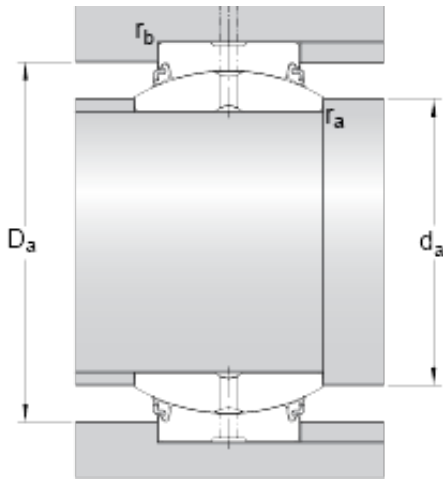




SNR BEARING CORP.OF AMERICA



38.1 mm x 61.913 mm x 33.325 mm skf GEZ
108 ESL-2LS Radial spherical plain bearings

Bearing No. GEZ 108 ESL-2LS

GEZ 108 ESL-2LS Bearing 2D drawings and 3D CAD models

Lubricant	Regular relubrication – grease
Design (sliding contact surface combination)	Steel/steel, heavy-duty bearing
Sealing solution	Triple-lip seals
d	38.1 mm
D	61.913 mm
B	33.325 mm
C	28.575 mm
	6 °
d _k	54.737 mm
b	4.8 mm
b ₁	5 mm
M	4 mm
r ₁ min.	0.6 mm
r ₂ min.	1 mm
d _a min.	41.4 mm
d _a max.	43.4 mm
D _a min.	52.3 mm
D _a max.	58 mm
r _a max.	0.6 mm
r _b max.	1 mm
Basic dynamic load rating C	125 kN
Basic static load rating C ₀	375 kN
Specific dynamic load factor K	100 N/mm ²



SNR BEARING CORP.OF AMERICA

Specific static load factor K_0	300 N/mm ²
Material constant K_M	330
Mass plain bearing	0.42 kg