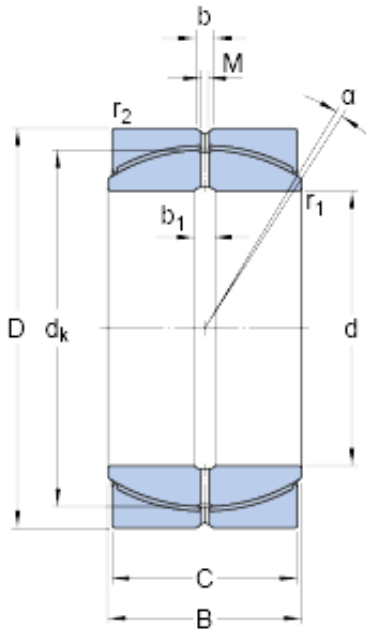




SNR BEARING CORP.OF AMERICA



GEP 160 FS Bearing 2D drawings and 3D CAD models

160 mm x 230 mm x 115 mm skf GEP 160 FS
Radial spherical plain bearings

Bearing No. GEP 160 FS

Size	160x230x115 mm
Bore Diameter	160 mm
Outer Diameter	230 mm
Width	115 mm
d	160 mm
D	230 mm
B	115 mm
C	109 mm
	2 °
d _k	210 mm
b	7.5 mm
b ₁	7.5 mm
M	4 mm
r ₁ - min.	1 mm
r ₂ - min.	1 mm
d _a - min.	169 mm
d _a - max.	175 mm
D _a - min.	195 mm
D _a - max.	218 mm
r _a - max.	1 mm
r _b - max.	1 mm
Basic dynamic load rating - C	1600 kN
Basic static load rating - C ₀	2400 kN
Specific factor dinamic load - K	80 N/mm ²



SNR BEARING CORP.OF AMERICA

Specific factor static load - K_0	120 N/mm ²
Constant - K_M	1055
Size	230x160x115 mm
Bore Diameter	230 mm
Outer Diameter	160 mm
Width	115 mm
d	160 mm
D	230 mm
B	115 mm
C	109 mm
	2 °
d_k	210 mm
b	7.5 mm
b_1	7.5 mm
M	4 mm
r_1 - min.	1 mm
r_2 - min.	1 mm
d_a - min.	169 mm
d_a - max.	175 mm
D_a - min.	195 mm
D_a - max.	218 mm
r_a - max.	1 mm
r_b - max.	1 mm
Basic dynamic load rating - C	1600 kN
Basic static load rating - C_0	2400 kN
Specific factor dynamic load - K	80 N/mm ²
Specific factor static load - K_0	120 N/mm ²
Constant - K_M	1055



SNR BEARING CORP.OF AMERICA

Category	Spherical Plain Bearings - Radial
Inventory	0.0
Manufacturer Name	SKF
Minimum Buy Quantity	N/A
Weight / Kilogram	16.62
EAN	7316570902563
Product Group	B04264
Self Aligning	Yes
Rolling Element	Spherical Plain
Material - Outer Member	Steel
Material - Ball	Steel
Material - Liner	Plastic Teflon
Relubricatable	Yes
Enclosure	Open
Other Features	3 Piece Radially Split Outer Ring Chrome Plated Ball Separable Self Lubricating Lubrication Hole and Groove in Both Rings
Long Description	160MM Bore; 109MM Housing Width; 230MM Outside Diameter; Spherical Plain; Steel Outer Member; Steel Ball; Plastic Teflon Liner; 115MM Overall Width; Relubricatable
Inch - Metric	Metric
Category	Plain Bearings Spherical Radial
UNSPSC	31171515
Harmonized Tariff Code	8483.30.80.70
Noun	Bearing
Keyword 3	Spherical
Keyword String	Plain Spherical Radial
Manufacturer URL	http://www.skf.com



SNR BEARING CORP.OF AMERICA

Manufacturer Item Number	GEP 160 FS
Weight / LBS	36.597
Housing Width	4.291 Inch 109 Millimeter
Outside Diameter	9.055 Inch 230 Millimeter
Bore	6.299 Inch 160 Millimeter
Overall Width	4.528 Inch 115 Millimeter
Lubricant	Maintenance free – dry lubrication
Design (sliding contact surface combination)	Steel/PTFE FRP
Sealing solution	-
	2 °
d_k	210 mm
b_1	7.5 mm
r_1 min.	1 mm
r_2 min.	1 mm
d_a min.	169 mm
d_a max.	175 mm
D_a min.	195 mm
D_a max.	218 mm
r_a max.	1 mm
r_b max.	1 mm
Basic dynamic load rating C	1600 kN
Basic static load rating C_0	2400 kN
Specific dynamic load factor K	80 N/mm ²
Specific static load factor K_0	120 N/mm ²
Material constant K_M	1055
Mass plain bearing	16.6 kg