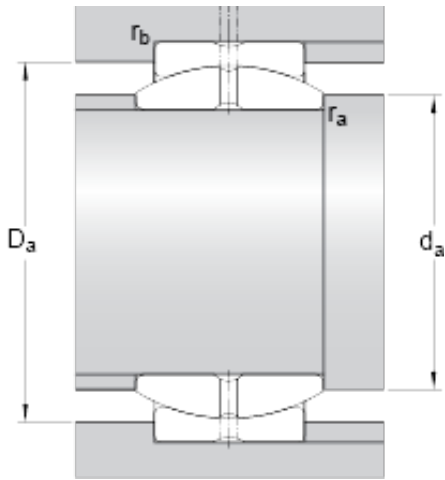




SNR BEARING CORP.OF AMERICA



160 mm x 230 mm x 105 mm skf GE 160 ES/C3
Radial spherical plain bearings

Bearing No. GE 160 ES/C3

GE 160 ES/C3 Bearing 2D drawings and 3D CAD models

Lubricant	Regular relubrication – grease
Design (sliding contact surface combination)	Steel/steel
Sealing solution	-
d	160 mm
D	230 mm
B	105 mm
C	80 mm
	8 °
d _k	200 mm
b	13.5 mm
b ₁	13.5 mm
M	6 mm
r ₁ min.	1 mm
r ₂ min.	1 mm
d _a min.	169.5 mm
d _a max.	170 mm
D _a min.	190 mm
D _a max.	222 mm
r _a max.	1 mm
r _b max.	1 mm
Basic dynamic load rating C	1370 kN
Basic static load rating C ₀	6800 kN
Specific dynamic load factor K	100 N/mm ²



SNR BEARING CORP.OF AMERICA

Specific static load factor K_0	500 N/mm ²
Material constant K_M	330
Mass plain bearing	14 kg