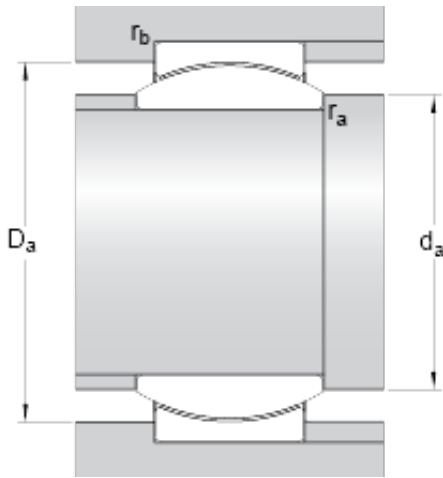




SNR BEARING CORP.OF AMERICA



50 mm x 75 mm x 35 mm skf GE 50 CJ2 Radial spherical plain bearings

Bearing No. GE 50 CJ2

GE 50 CJ2 Bearing 2D drawings and 3D CAD models

Lubricant	Maintenance free – dry lubrication
Design (sliding contact surface combination)	Steel/PTFE sintered bronze
Sealing solution	-
d	50 mm
D	75 mm
B	35 mm
C	28 mm
	6 °
dk	66 mm
r ₁ min.	0.6 mm
r ₂ min.	1 mm
d _a min.	54 mm
d _a max.	56 mm
D _a min.	62.7 mm
D _a max.	71 mm
r _a max.	0.6 mm
r _b max.	1 mm
Basic dynamic load rating C	156 kN
Basic static load rating C ₀	390 kN
Specific dynamic load factor K	100 N/mm ²
Specific static load factor K ₀	250 N/mm ²
Material constant K _M	1400
Mass plain bearing	0.56 kg