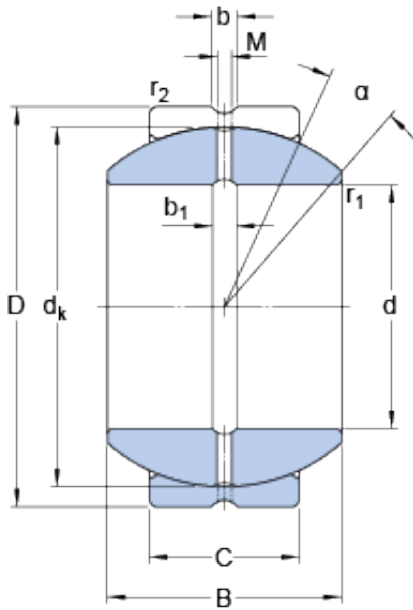




SNR BEARING CORP.OF AMERICA

69.85 mm x 120.65 mm x 70.866 mm skf GEZH 212 ES Radial spherical plain bearings



GEZH 212 ES Bearing 2D drawings and 3D CAD models

Bearing No. GEZH 212 ES

Size	120.65x69.85x70.866 mm
Bore Diameter	120,65 mm
Outer Diameter	69,85 mm
Width	70,866 mm
d	69.85 mm
D	120.65 mm
B	70.866 mm
C	57.15 mm
	8 °
d _k	109.525 mm
b	9 mm
b ₁	8 mm
M	6.5 mm
r ₁ - min.	2 mm
r ₂ - min.	1 mm
d _a - min.	78.6 mm
d _a - max.	83.5 mm
D _a - min.	104 mm
D _a - max.	115 mm
r _a - max.	2 mm
r _b - max.	1 mm
Basic dynamic load rating - C	500 kN
Basic static load rating - C ₀	1500 kN
Specific factor dinamic load - K	100 N/mm ²



SNR BEARING CORP.OF AMERICA

Specific factor static load - K_0	300 N/mm ²
Constant - K_M	330
Lubricant	Regular relubrication – grease
Design (sliding contact surface combination)	Steel/steel
Sealing solution	-
	8 °
d_k	109.525 mm
b_1	8 mm
r_1 min.	2 mm
r_2 min.	1 mm
d_a min.	78.6 mm
d_a max.	83.5 mm
D_a min.	104 mm
D_a max.	115 mm
r_a max.	2 mm
r_b max.	1 mm
Basic dynamic load rating C	500 kN
Basic static load rating C_0	1500 kN
Specific dynamic load factor K	100 N/mm ²
Specific static load factor K_0	300 N/mm ²
Material constant K_M	330
Mass plain bearing	3.65 kg