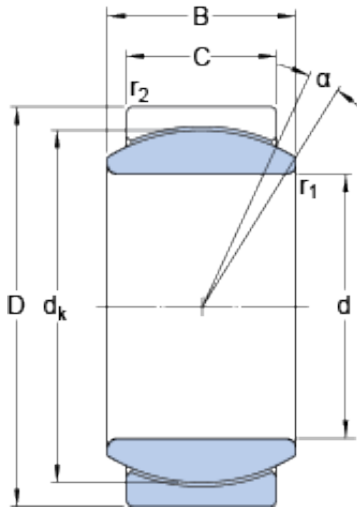




SNR BEARING CORP.OF AMERICA



20 mm x 35 mm x 16 mm skf GE 20 C Radial spherical plain bearings

Bearing No. GE 20 C

GE 20 C Bearing 2D drawings and 3D CAD models

Size	35x20x16 mm
Bore Diameter	35 mm
Outer Diameter	20 mm
Width	16 mm
d	20 mm
D	35 mm
B	16 mm
C	12 mm
	9 °
dk	29 mm
r ₁ - min.	0.3 mm
r ₂ - min.	0.3 mm
d _a - min.	21.8 mm
d _a - max.	24.2 mm
D _a - min.	27.6 mm
D _a - max.	33.4 mm
r _a - max.	0.3 mm
r _b - max.	0.3 mm
Basic dynamic load rating - C	31.5 kN
Basic static load rating - C ₀	78 kN
Specific factor dynamic load - K	100 N/mm ²
Specific factor static load - K ₀	250 N/mm ²
Constant - K _M	1400



SNR BEARING CORP.OF AMERICA

Category	Spherical Plain Bearings - Radial
Inventory	0.0
Manufacturer Name	SKF
Minimum Buy Quantity	N/A
Weight / Kilogram	0.07
Product Group	B04264
Self Aligning	Yes
Rolling Element	Spherical Plain
Material - Outer Member	Steel
Material - Ball	Steel
Material - Liner	Teflon Sintered Bronze
Relubricatable	No
Enclosure	Open
Other Features	2 Piece Maintenance Free Chrome Plated Ball Self Lubricating
Long Description	20MM Bore; 12MM Housing Width; 35MM Outside Diameter; Spherical Plain; Steel Outer Member; Steel Ball; Teflon Sintered Bronze Liner; 16MM Overall Width; Not Relubricatable
Inch - Metric	Metric
Category	Plain Bearings Spherical Radial
UNSPSC	31171515
Harmonized Tariff Code	8483.30.80.70
Noun	Bearing
Keyword 3	Spherical
Keyword String	Plain Spherical Radial
Manufacturer URL	http://www.skf.com
Manufacturer Item Number	GE 20 C
Weight / LBS	0.143



SNR BEARING CORP.OF AMERICA

Overall Width	0.63 Inch 16 Millimeter
Bore	0.787 Inch 20 Millimeter
Outside Diameter	1.378 Inch 35 Millimeter
Housing Width	0.472 Inch 12 Millimeter
bore diameter:	20 mm
inner ring material:	Chrome Steel
outside diameter:	35 mm
outer ring width:	12 mm
misalignment angle:	9 °
race material:	PTFE Composite
inner ring width:	16 mm
radial static load capacity:	78 kN
bearing type:	Radial
radial dynamic load capacity:	31.5 kN
lubrication type:	Maintenance Free/Self-Lubricating
operating temperature range:	-50 to +150 ° C ° F
closure type:	Open
overall width:	16 mm
outer ring material:	Chrome Steel
manufacturer upc number:	7316576609251
Lubricant	Maintenance free – dry lubrication
Design (sliding contact surface combination)	Steel/PTFE sintered bronze
Sealing solution	-
	9 °
d _k	29 mm
r ₁ min.	0.3 mm
r ₂ min.	0.3 mm
d _a min.	21.8 mm
d _a max.	24.2 mm



SNR BEARING CORP.OF AMERICA

D_a min.	27.6 mm
D_a max.	33.4 mm
r_a max.	0.3 mm
r_b max.	0.3 mm
Basic dynamic load rating C	31.5 kN
Basic static load rating C_0	78 kN
Specific dynamic load factor K	100 N/mm ²
Specific static load factor K_0	250 N/mm ²
Material constant K_M	1400
Mass plain bearing	0.065 kg