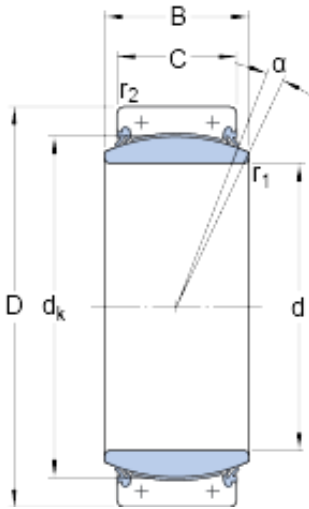




# SNR BEARING CORP.OF AMERICA



420 mm x 560 mm x 190 mm skf GEC 420  
TXA-2RS Radial spherical plain bearings

Bearing No. GEC 420 TXA-2RS

GEC 420 TXA-2RS Bearing 2D drawings and 3D CAD models

Size	560x420x190 mm
Bore Diameter	560 mm
Outer Diameter	420 mm
Width	190 mm
d	420 mm
D	560 mm
B	190 mm
C	160 mm
	3 °
dk	490 mm
r <sub>1</sub> - min.	1.5 mm
r <sub>2</sub> - min.	4 mm
d <sub>a</sub> - min.	439 mm
d <sub>a</sub> - max.	451 mm
D <sub>a</sub> - min.	485 mm
D <sub>a</sub> - max.	530 mm
r <sub>a</sub> - max.	1.5 mm
r <sub>b</sub> - max.	4 mm
Basic dynamic load rating - C	21200 kN
Basic static load rating - C <sub>0</sub>	35500 kN
Specific factor dinamic load - K	300 N/mm <sup>2</sup>
Specific factor static load - K <sub>0</sub>	500 N/mm <sup>2</sup>
Lubricant	Maintenance free – dry



## SNR BEARING CORP.OF AMERICA

	lubrication
Design (sliding contact surface combination)	Steel/PTFE fabric
Sealing solution	Double-lip seals
	3 °
$d_k$	490 mm
$r_1$ min.	1.5 mm
$r_2$ min.	4 mm
$d_a$ min.	439 mm
$d_a$ max.	451 mm
$D_a$ min.	485 mm
$D_a$ max.	530 mm
$r_a$ max.	1.5 mm
$r_b$ max.	4 mm
Basic dynamic load rating C	21200 kN
Basic static load rating $C_0$	35500 kN
Specific dynamic load factor K	300 N/mm <sup>2</sup>
Specific static load factor $K_0$	500 N/mm <sup>2</sup>
Mass plain bearing	137 kg