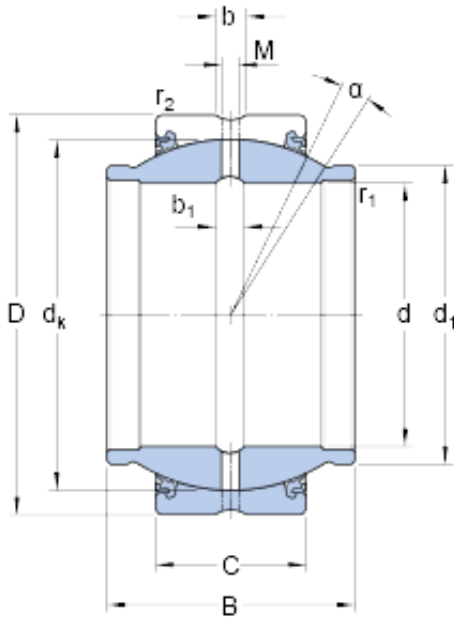




# SNR BEARING CORP.OF AMERICA



GEM 45 ES-2LS Bearing 2D drawings and 3D CAD models

45 mm x 68 mm x 40 mm skf GEM 45 ES-2LS  
Radial spherical plain bearings

Bearing No. GEM 45 ES-2LS

Size	68x45x40 mm
Bore Diameter	68 mm
Outer Diameter	45 mm
Width	40 mm
d	45 mm
D	68 mm
B	40 mm
C	25 mm
	4 °
d <sub>k</sub>	60 mm
d <sub>1</sub>	52 mm
b	4.6 mm
b <sub>1</sub>	4.6 mm
M	3 mm
r <sub>1</sub> - min.	0.6 mm
r <sub>2</sub> - min.	1 mm
d <sub>a</sub> - min.	49.6 mm
d <sub>a</sub> - max.	52 mm
D <sub>a</sub> - min.	61 mm
D <sub>a</sub> - max.	63.6 mm
r <sub>a</sub> - max.	0.6 mm
r <sub>b</sub> - max.	1 mm
Basic dynamic load rating - C	127 kN
Basic static load rating - C <sub>0</sub>	640 kN



## SNR BEARING CORP.OF AMERICA

Specific factor dinamic load - K	100 N/mm <sup>2</sup>
Specific factor static load - K <sub>0</sub>	500 N/mm <sup>2</sup>
Constant - K <sub>M</sub>	330
Lubricant	Regular relubrication – grease
Design (sliding contact surface combination)	Steel/steel
Sealing solution	Triple-lip seals
	4 °
d <sub>k</sub>	60 mm
d <sub>1</sub>	52 mm
b <sub>1</sub>	4.6 mm
r <sub>1</sub> min.	0.6 mm
r <sub>2</sub> min.	1 mm
d <sub>a</sub> min.	49.6 mm
d <sub>a</sub> max.	52 mm
D <sub>a</sub> min.	61 mm
D <sub>a</sub> max.	63.6 mm
r <sub>a</sub> max.	0.6 mm
r <sub>b</sub> max.	1 mm
Basic dynamic load rating C	127 kN
Basic static load rating C <sub>0</sub>	640 kN
Specific dynamic load factor K	100 N/mm <sup>2</sup>
Specific static load factor K <sub>0</sub>	500 N/mm <sup>2</sup>
Material constant K <sub>M</sub>	330
Mass plain bearing	0.49 kg