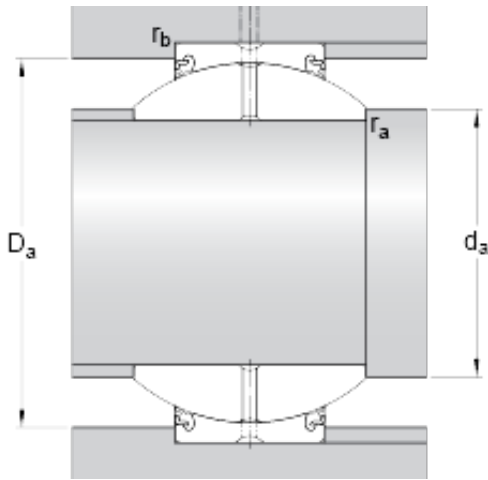




SNR BEARING CORP.OF AMERICA



82.55 mm x 139.7 mm x 82.931 mm skf GEZH 304 ESX-2LS Radial spherical plain bearings

Bearing No. GEZH 304 ESX-2LS

GEZH 304 ESX-2LS Bearing 2D drawings and 3D CAD models

Lubricant	Maintenance free – greased for life
Design (sliding contact surface combination)	Steel/steel
Sealing solution	Triple-lip seals
d	82.55 mm
D	139.7 mm
B	82.931 mm
C	66.675 mm
	9 °
dk	128.016 mm
b	10.5 mm
b ₁	8 mm
M	6.5 mm
r ₁ min.	2 mm
r ₂ min.	1 mm
d _a min.	92.7 mm
d _a max.	97.5 mm
D _a min.	122.8 mm
D _a max.	133.8 mm
r _a max.	2 mm
r _b max.	1 mm
Basic dynamic load rating C	1020 kN
Basic static load rating C ₀	2040 kN
Specific dynamic load factor K	150 N/mm ²



SNR BEARING CORP.OF AMERICA

Specific static load factor K_0	300 N/mm ²
Material constant K_M	330
Mass plain bearing	5.6 kg