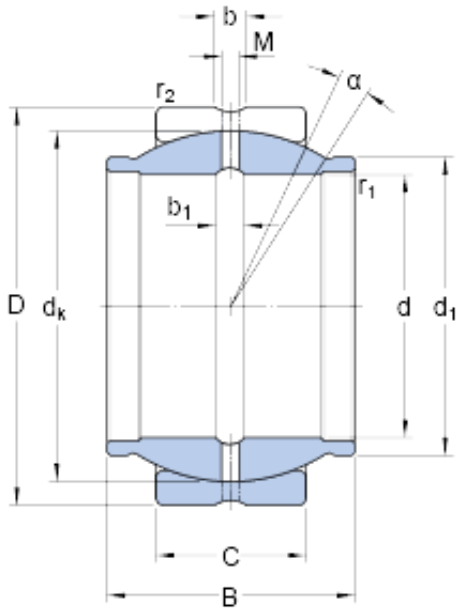




SNR BEARING CORP.OF AMERICA

38.1 mm x 61.913 mm x 57.15 mm skf GEZM 108 ES Radial spherical plain bearings

Bearing No. GEZM 108 ES



GEZM 108 ES Bearing 2D drawings and 3D CAD models

Size	61.913x38.1x57.15 mm
Bore Diameter	61,913 mm
Outer Diameter	38,1 mm
Width	57,15 mm
d	38.1 mm
D	61.913 mm
B	57.15 mm
C	28.575 mm
	9 °
d _k	54.737 mm
d ₁	46.99 mm
b	4.8 mm
b ₁	5 mm
M	4 mm
r ₁ - min.	1 mm
r ₂ - min.	1 mm
d _a - min.	43.3 mm
d _a - max.	47 mm
D _a - min.	52 mm
D _a - max.	58 mm
r _a - max.	1 mm
r _b - max.	1 mm
Basic dynamic load rating - C	125 kN
Basic static load rating - C ₀	375 kN



SNR BEARING CORP.OF AMERICA

Specific factor dynamic load - K	100 N/mm ²
Specific factor static load - K ₀	300 N/mm ²
Constant - K _M	330
Lubricant	Regular relubrication – grease
Design (sliding contact surface combination)	Steel/steel
Sealing solution	-
	9 °
d _k	54.737 mm
d ₁	46.99 mm
b ₁	5 mm
r ₁ min.	1 mm
r ₂ min.	1 mm
d _a min.	43.3 mm
d _a max.	47 mm
D _a min.	52 mm
D _a max.	58 mm
r _a max.	1 mm
r _b max.	1 mm
Basic dynamic load rating C	125 kN
Basic static load rating C ₀	375 kN
Specific dynamic load factor K	100 N/mm ²
Specific static load factor K ₀	300 N/mm ²
Material constant K _M	330
Mass plain bearing	0.51 kg