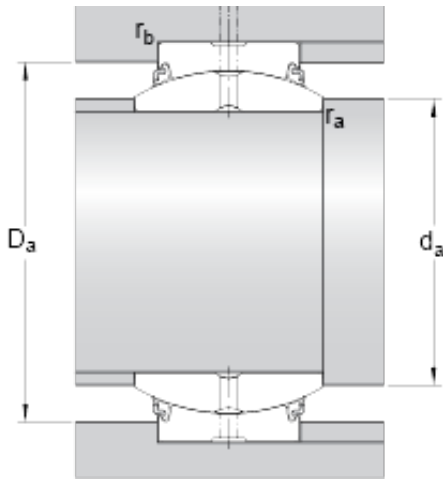




SNR BEARING CORP.OF AMERICA



88.9 mm x 139.7 mm x 77.775 mm skf GEZ 308 ES-2LS Radial spherical plain bearings

Bearing No. GEZ 308 ES-2LS

GEZ 308 ES-2LS Bearing 2D drawings and 3D CAD models

| | |
|--|--------------------------------|
| Lubricant | Regular relubrication – grease |
| Design (sliding contact surface combination) | Steel/steel |
| Sealing solution | Triple-lip seals |
| d | 88.9 mm |
| D | 139.7 mm |
| B | 77.775 mm |
| C | 66.675 mm |
| | 6 ° |
| d _k | 128.016 mm |
| b | 10.5 mm |
| b ₁ | 8 mm |
| M | 6.5 mm |
| r ₁ min. | 0.6 mm |
| r ₂ min. | 1 mm |
| d _a min. | 94.6 mm |
| d _a max. | 101.7 mm |
| D _a min. | 122.8 mm |
| D _a max. | 133.8 mm |
| r _a max. | 0.6 mm |
| r _b max. | 1 mm |
| Basic dynamic load rating C | 680 kN |
| Basic static load rating C ₀ | 2040 kN |
| Specific dynamic load factor K | 100 N/mm ² |
| | |



SNR BEARING CORP.OF AMERICA

| | |
|-----------------------------------|-----------------------|
| Specific static load factor K_0 | 300 N/mm ² |
| Material constant K_M | 330 |
| Mass plain bearing | 4.8 kg |