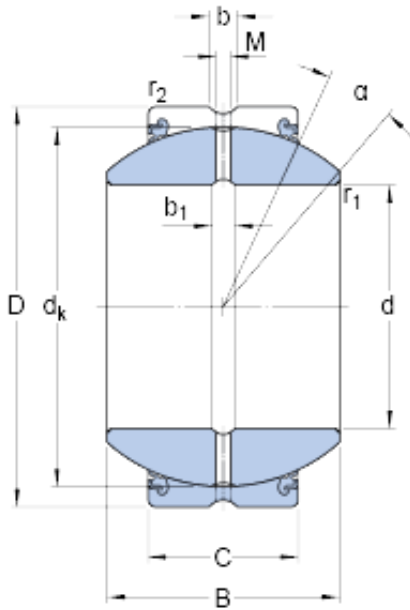




SNR BEARING CORP.OF AMERICA

70 mm x 120 mm x 70 mm skf GEH 70 ESX-2LS
Radial spherical plain bearings

Bearing No. GEH 70 ESX-2LS



GEH 70 ESX-2LS Bearing 2D drawings and 3D CAD models

Size	120x70x70 mm
Bore Diameter	120 mm
Outer Diameter	70 mm
Width	70 mm
d	70 mm
D	120 mm
B	70 mm
C	45 mm
	16 °
d _k	105 mm
b	7.7 mm
b ₁	7.7 mm
M	4 mm
r ₁ - min.	1 mm
r ₂ - min.	1 mm
d _a - min.	77.5 mm
d _a - max.	78.3 mm
D _a - min.	104.4 mm
D _a - max.	113.8 mm
r _a - max.	1 mm
r _b - max.	1 mm
Basic dynamic load rating - C	600 kN
Basic static load rating - C ₀	2000 kN
Specific factor dinamic load - K	150 N/mm ²



SNR BEARING CORP.OF AMERICA

Specific factor static load - K_0	500 N/mm ²
Constant - K_M	330
Lubricant	Maintenance free – greased for life
Design (sliding contact surface combination)	Steel/steel
Sealing solution	Triple-lip seals
	16 °
d_k	105 mm
b_1	7.7 mm
r_1 min.	1 mm
r_2 min.	1 mm
d_a min.	77.5 mm
d_a max.	78.3 mm
D_a min.	104.4 mm
D_a max.	113.8 mm
r_a max.	1 mm
r_b max.	1 mm
Basic dynamic load rating C	600 kN
Basic static load rating C_0	2000 kN
Specific dynamic load factor K	150 N/mm ²
Specific static load factor K_0	500 N/mm ²
Material constant K_M	330
Mass plain bearing	3.4 kg