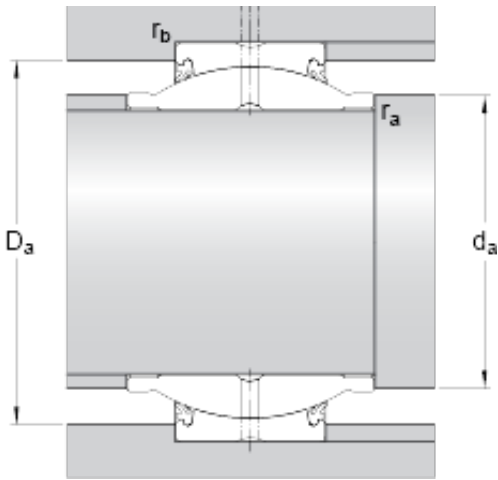




SNR BEARING CORP.OF AMERICA



101.6 mm x 158.75 mm x 152.4 mm skf GEZM 400 ES-2RS Radial spherical plain bearings

Bearing No. GEZM 400 ES-2RS

GEZM 400 ES-2RS Bearing 2D drawings and 3D CAD models

Lubricant	Regular relubrication – grease
Design (sliding contact surface combination)	Steel/steel
Sealing solution	Double-lip seals
d	101.6 mm
D	158.75 mm
B	152.4 mm
C	76.2 mm
	5 °
d _k	146.05 mm
d ₁	124.587 mm
b	10.5 mm
b ₁	10 mm
M	8 mm
r ₁ min.	1.5 mm
r ₂ min.	1 mm
d _a min.	110 mm
d _a max.	124.6 mm
D _a min.	139.5 mm
D _a max.	152.5 mm
r _a max.	1.5 mm
r _b max.	1 mm
Basic dynamic load rating C	900 kN
Basic static load rating C ₀	2650 kN
Specific dynamic load factor	100 N/mm ²



SNR BEARING CORP.OF AMERICA

K	
Specific static load factor K_0	300 N/mm ²
Material constant K_M	330
Mass plain bearing	9.1 kg