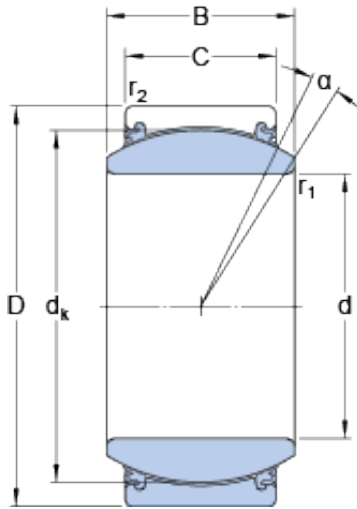




SNR BEARING CORP.OF AMERICA



25 mm x 42 mm x 20 mm skf GE 25 TXE-2LS Radial spherical plain bearings

Bearing No. GE 25 TXE-2LS

GE 25 TXE-2LS Bearing 2D drawings and 3D CAD models

Size	42x25x20 mm
Bore Diameter	42 mm
Outer Diameter	25 mm
Width	20 mm
d	25 mm
D	42 mm
B	20 mm
C	16 mm
	7 °
dk	35.5 mm
r ₁ - min.	0.6 mm
r ₂ - min.	0.6 mm
d _a - min.	28.2 mm
d _a - max.	29.3 mm
D _a - min.	36.9 mm
D _a - max.	39.2 mm
r _a - max.	0.6 mm
r _b - max.	0.6 mm
Basic dynamic load rating - C	137 kN
Basic static load rating - C ₀	228 kN
Specific factor dinamic load - K	300 N/mm ²
Specific factor static load - K ₀	500 N/mm ²
Category	Spherical Plain Bearings -



SNR BEARING CORP.OF AMERICA

	Radial
Inventory	0.0
Manufacturer Name	SKF
Minimum Buy Quantity	N/A
Weight / Kilogram	0.12
Product Group	B04264
Self Aligning	Yes
Rolling Element	Spherical Plain
Material - Outer Member	Steel
Material - Ball	Steel
Material - Liner	Teflon
Relubricatable	No
Enclosure	2 Seals
Other Features	2 Piece Maintenance Free Chrome Plated Ball Self Lubricating Triple Lip Heavy Duty Seals
Long Description	25MM Bore; 16MM Housing Width; 42MM Outside Diameter; Spherical Plain; Steel Outer Member; Steel Ball; Teflon Liner; 20MM Overall Width; Not Relubricatable
Inch - Metric	Metric
Category	Plain Bearings Spherical Radial
UNSPSC	31171515
Harmonized Tariff Code	8483.30.80.70
Noun	Bearing
Keyword 3	Spherical
Keyword String	Plain Spherical Radial
Manufacturer URL	http://www.skf.com
Manufacturer Item Number	GE 25 TXE-2LS
Weight / LBS	0.265



SNR BEARING CORP.OF AMERICA

Housing Width	0.63 Inch 16 Millimeter
Outside Diameter	1.654 Inch 42 Millimeter
Bore	0.984 Inch 25 Millimeter
Overall Width	0.787 Inch 20 Millimeter
bore diameter:	25 mm
outer ring width:	16 mm
outside diameter:	42 mm
overall width:	20 mm
misalignment angle:	7 °
radial static load capacity:	228 kN
inner ring width:	20 mm
radial dynamic load capacity:	137 kN
bearing type:	Radial
operating temperature range:	-65 to 230 ° F ° F
lubrication type:	Maintenance Free/Self-Lubricating
weight:	0.24 lb
closure type:	Triple Lip Seals
manufacturer product page:	Click here
outer ring material:	Steel
manufacturer upc number:	7316574541126
inner ring material:	Steel/PTFE Fabric
Lubricant	Maintenance free – dry lubrication
Design (sliding contact surface combination)	Steel/PTFE fabric
Sealing solution	Triple-lip seals
	7 °
d_k	35.5 mm
r_1 min.	0.6 mm
r_2 min.	0.6 mm
d_a min.	28.2 mm



SNR BEARING CORP.OF AMERICA

d_a max.	29.3 mm
D_a min.	36.9 mm
D_a max.	39.2 mm
r_a max.	0.6 mm
r_b max.	0.6 mm
Basic dynamic load rating C	137 kN
Basic static load rating C_0	228 kN
Specific dynamic load factor K	300 N/mm ²
Specific static load factor K_0	500 N/mm ²
Mass plain bearing	0.11 kg