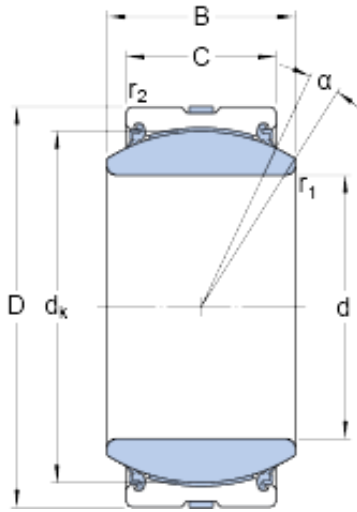




SNR BEARING CORP.OF AMERICA



140 mm x 210 mm x 90 mm skf GE 140 TXG3A-2LS Radial spherical plain bearings

Bearing No. GE 140 TXG3A-2LS

GE 140 TXG3A-2LS Bearing 2D drawings and 3D CAD models

Size	210x140x90 mm
Bore Diameter	210 mm
Outer Diameter	140 mm
Width	90 mm
d	140 mm
D	210 mm
B	90 mm
C	70 mm
	7 °
dk	180 mm
r ₁ - min.	1 mm
r ₂ - min.	1 mm
d _a - min.	149 mm
d _a - max.	155.5 mm
D _a - min.	180 mm
D _a - max.	202 mm
r _a - max.	1 mm
r _b - max.	1 mm
Basic dynamic load rating - C	3000 kN
Basic static load rating - C ₀	5000 kN
Specific factor dinamic load - K	300 N/mm ²
Specific factor static load - K ₀	500 N/mm ²
Lubricant	Maintenance free – dry



SNR BEARING CORP.OF AMERICA

	Lubrication
Design (sliding contact surface combination)	Steel/PTFE fabric
Sealing solution	Triple-lip seals
	7 °
d_k	180 mm
r_1 min.	1 mm
r_2 min.	1 mm
d_a min.	149 mm
d_a max.	155.5 mm
D_a min.	180 mm
D_a max.	202 mm
r_a max.	1 mm
r_b max.	1 mm
Basic dynamic load rating C	3000 kN
Basic static load rating C_0	5000 kN
Specific dynamic load factor K	300 N/mm ²
Specific static load factor K_0	500 N/mm ²
Mass plain bearing	11 kg