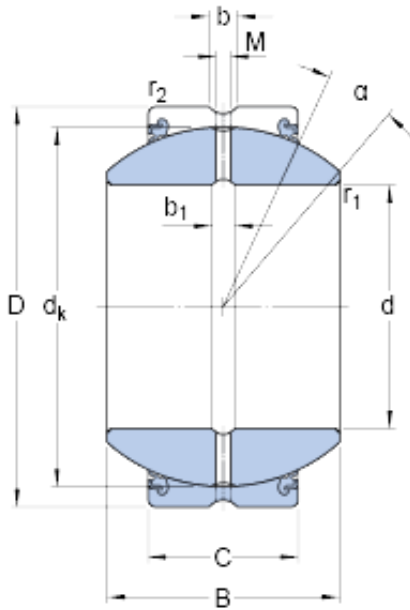




SNR BEARING CORP.OF AMERICA

80 mm x 130 mm x 75 mm skf GEH 80 ES-2LS
Radial spherical plain bearings

Bearing No. GEH 80 ES-2LS



GEH 80 ES-2LS Bearing 2D drawings and 3D CAD models

| | |
|---|-----------------------|
| Size | 130x80x75 mm |
| Bore Diameter | 130 mm |
| Outer Diameter | 80 mm |
| Width | 75 mm |
| d | 80 mm |
| D | 130 mm |
| B | 75 mm |
| C | 50 mm |
| | 14 ° |
| d _k | 115 mm |
| b | 9.5 mm |
| b ₁ | 9.5 mm |
| M | 5 mm |
| r ₁ - min. | 1 mm |
| r ₂ - min. | 1 mm |
| d _a - min. | 87.2 mm |
| d _a - max. | 87.2 mm |
| D _a - min. | 112.9 mm |
| D _a - max. | 123.5 mm |
| r _a - max. | 1 mm |
| r _b - max. | 1 mm |
| Basic dynamic load rating - C | 490 kN |
| Basic static load rating - C ₀ | 2450 kN |
| Specific factor dinamic load - K | 100 N/mm ² |



SNR BEARING CORP.OF AMERICA

| | |
|--|--------------------------------|
| Specific factor static load - K_0 | 500 N/mm ² |
| Constant - K_M | 330 |
| Category | Bearings |
| Inventory | 0.0 |
| Manufacturer Name | SKF |
| Minimum Buy Quantity | N/A |
| UNSPSC | 31171515 |
| Weight / Kilogram | 0 |
| EAN | 7316571782478 |
| Product Group | B04264 |
| Lubricant | Regular relubrication – grease |
| Design (sliding contact surface combination) | Steel/steel |
| Sealing solution | Triple-lip seals |
| | 14 ° |
| d_k | 115 mm |
| b_1 | 9.5 mm |
| r_1 min. | 1 mm |
| r_2 min. | 1 mm |
| d_a min. | 87.2 mm |
| d_a max. | 87.2 mm |
| D_a min. | 112.9 mm |
| D_a max. | 123.5 mm |
| r_a max. | 1 mm |
| r_b max. | 1 mm |
| Basic dynamic load rating C | 490 kN |
| Basic static load rating C_0 | 2450 kN |
| Specific dynamic load factor K | 100 N/mm ² |
| Specific static load factor K_0 | 500 N/mm ² |
| Material constant K_M | 330 |



SNR BEARING CORP.OF AMERICA

| | |
|--------------------|--------|
| Mass plain bearing | 4.1 kg |
|--------------------|--------|