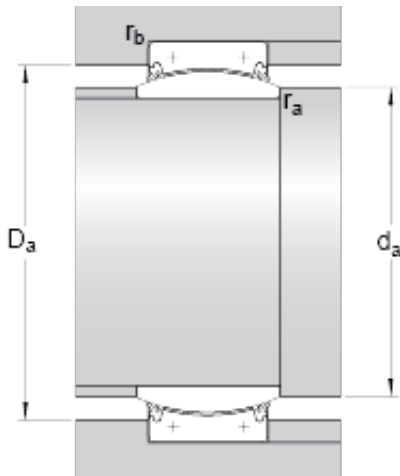




SNR BEARING CORP.OF AMERICA



800 mm x 1060 mm x 355 mm skf GEC 800
TXA-2RS Radial spherical plain bearings

Bearing No. GEC 800 TXA-2RS

GEC 800 TXA-2RS Bearing 2D drawings and 3D CAD models

Lubricant	Maintenance free – dry lubrication
Design (sliding contact surface combination)	Steel/PTFE fabric
Sealing solution	Double-lip seals
d	800 mm
D	1060 mm
B	355 mm
C	300 mm
	3 °
d _k	930 mm
r ₁ min.	3 mm
r ₂ min.	6 mm
d _a min.	835 mm
d _a max.	859 mm
D _a min.	920 mm
D _a max.	1008 mm
r _a max.	3 mm
r _b max.	6 mm
Basic dynamic load rating C	75000 kN
Basic static load rating C ₀	125000 kN
Specific dynamic load factor K	300 N/mm ²
Specific static load factor K ₀	500 N/mm ²
Mass plain bearing	918 kg